

## HIGH PERFORMANCE LED COB TRACK LIGHT SERIES

Liteharbor LED track fixtures feature dimmable integral LED drivers in a fashionable, classic design. Offering powerful lighting performance and maximum energy efficiency, these highly advanced fixtures are ideal for retail, residential and commercial accent lighting applications.

# HIGH PERFORMANCE LED COB TRACK LIGHT SERIES

Liteharbor High Performance LED COB Track Light Series offers numerous LED solutions that increase efficiency and revenue, while most importantly providing the customers with a comfortable and relaxing experience that keeps them coming back.

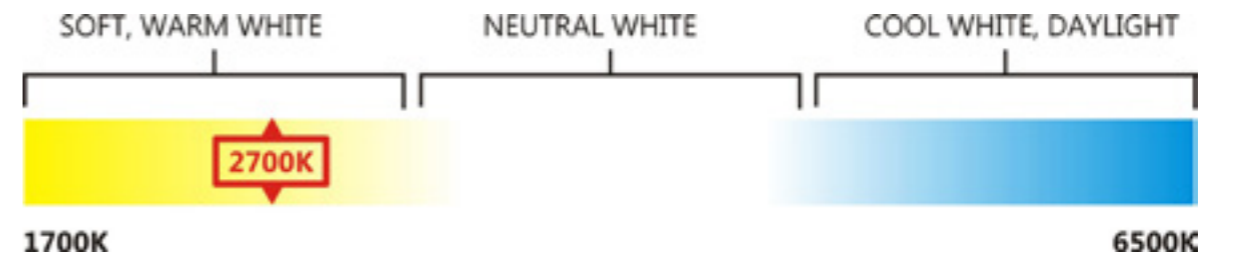


- 1 **Adaptor**  
Optional adaptor, can be global or square, available in single or two-circuit
- 2 **Power Supply**  
The high quality power supply is adjacent from the LED engine to increase efficiency and ensure optimal performance. The minimum power factor rating for the power supply is 0.95. ELV dimming control is offered as a standard in most luminaires.
- 3 **Thermal Management**  
LED mounted to die-cast/extruded aluminum heat sink with active cooling, these heatsinks are designed to dissipate heat well below the recommended operating junction temperature. Ensuring 50000 hours of operation at 70% lumen depreciation.



- 4 **High Performance LED Chip—COB**  
High output LED provide powerful uniform, vertical and horizontal illumination. These compact high flux density light sources deliver uniform, high quality illumination without pixilation.
- 5 **Reflectors**  
High quality 1.5mm thickness aluminum reflector with diffused anodized finish.

## Color Temperature(CCT)



Liteharbor High Performance COB LED Track Lights are available in a wide range of color temperature, Series fixtures are available in 2700K, 3000K, 3500K, 4000K and 6000K color temperatures with a minimum 80 CRI for excellent color rendering. Optional high CRI versions offer 90 CRI minimum.

## Color Rendering Index(CRI)

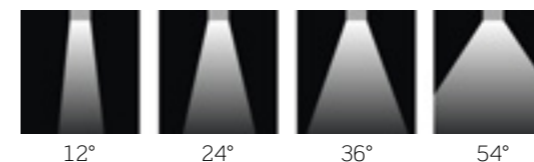
Color sample	Ra	R1	R2	R3	R4	R5	R6	R7	R8	R9	R10	R11	R12	R13	R14	R15
CRI 80+	81	80	85	89	81	78	80	86	66	16	64	79	58	81	93	75
CRI 95+	98	98	99	98	98	98	97	98	98	96	99	98	88	98	98	98
Radiant CRI 80+	81	81	86	89	81	80	80	85	68	16	66	80	62	82	93	77
Radiant CRI 95+	95	99	98	97	96	98	96	95	94	90	97	95	97	98	98	98

Color Rendering options comparison, 3000K

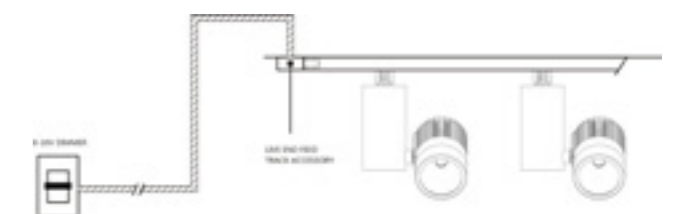
Liteharbor High Performance COB LED Track Lights Series is available in two CRI options, 80+ or 90+. The 90+ CRI option is only available in 2700K and 3000K. 90+ CRI delivers a premium high color rendering LED light source.

## Beam Angle

Patent pending precision optical system that produces uniform spot, narrow flood, or flood beam distributions with minimal field angle illumination.



## Dimming (0-10V Dimmer)



# IDEAL FOR A BROAD RANGE OF APPLICATION

## Retail

Liteharbor's High Performance COB Track Light is an ideal choice for showcasing high-end retail merchandise or museum quality items. Impression will take visual merchandising to a new level bringing out the vibrant colors, patterns and textures of your merchandise.



## Hospitality

With lighting applications such as lobbies, corridors, hotel rooms or restaurants, Liteharbor's Track Spot Light provides a versatile array of options. Each fixture offers fine details, high-end quality, high performance and low maintenance all covered by a 10-year product warranty.



## Commercial

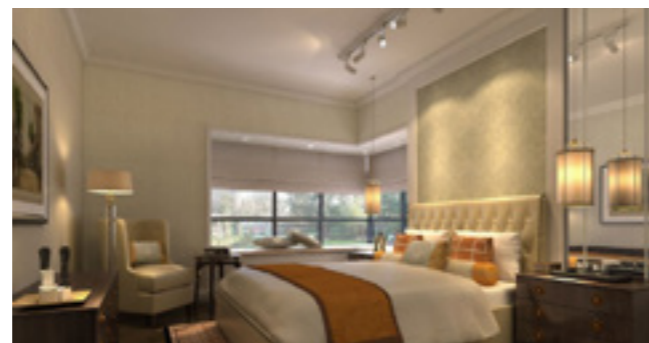
Liteharbor's Track Spots are ideal for lobbies and office spaces where wall washing or general lighting is required.

Its low-maintenance qualities and longevity make a practical and functional lighting solution ideal for high ceilings and "difficult to access" areas.



## Residential

Liteharbor's Track Spot Lights offer a low wattage version designed specifically for residential applications. Homeowners love the sleek design, optimum glare control and creative use of state-of-the-art technology in the product line.



# AVAILABLE FOR MULTIPLE MOUNTING STYLES



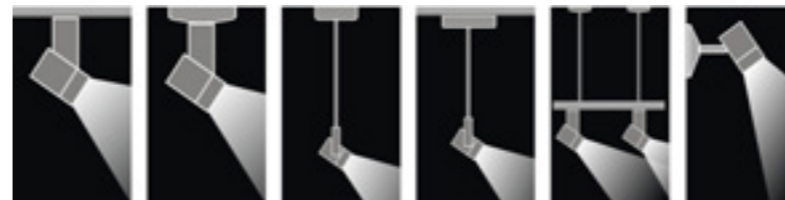
Versatile and Directional Track Lighting

Available in Any Situations Any Places

Form, Function and Flexibility for Architectural and Commercial Spaces

Liteharbor Your One-Stop Lighting Supplier, Quality & Services Assure!

Your Track Lighting Can Be Track Mounted



- a - Track Mount
- b - Canopy Mount
- c - Canopy+Suspended Mount
- d - Track+Suspended Mount
- e - Canopy+Suspended+Track Mount
- f - Wall Mount



Tracks can be mounted to ceilings or walls, lengthwise down beams, or crosswise across rafters or joists, they can also be hung with rods from especially high places like vaulted ceilings, typical systems have line voltage running through a recessed track. Adjustability, bright light and modern look of track lights make them a particularly good-looking workhorse in contemporary spaces.

What amazing track lights they are- if you are looking for a reliable supplier, Liteharbor Lighting you really can't miss!



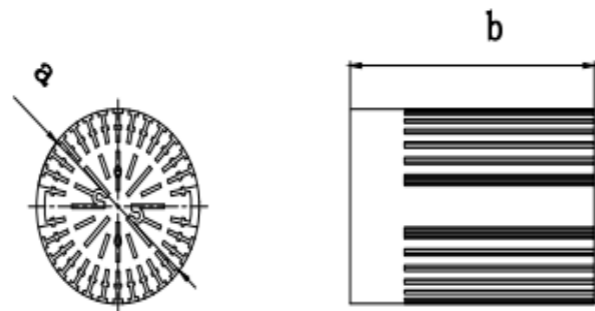
Complete selection of track connectors and accessories

# K30XX HEAT SINK STYLES

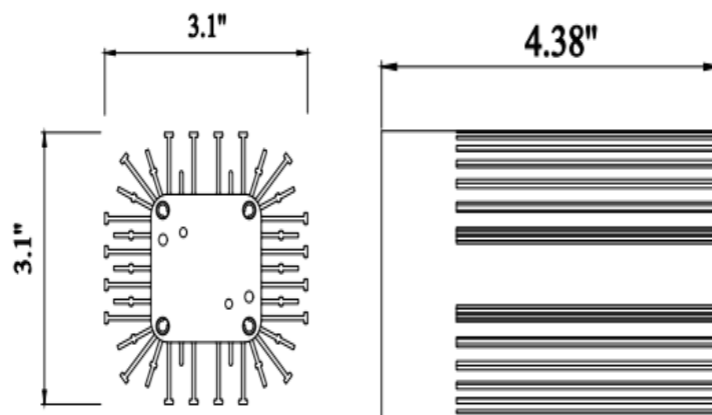
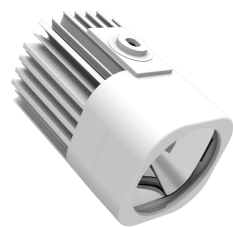
## Round heat sink



Round Heat Sink Size	Wattage (W)	Dimensions (a)	Dimensions (b)
S	8W/10W/12W/15W/20W	2.36"	3.64"
M	20W/25W/30W	2.79"	3.94"
L	35W/40W/45W	3.74"	4.33"

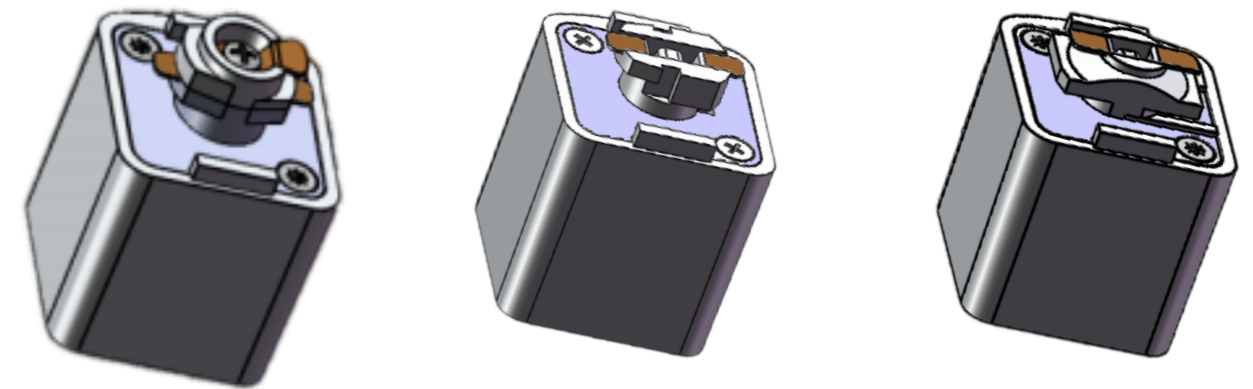


## Square heat sink



# Easy to interchangeable 3 types rail connectors

only Need To Loosen 2 Screws To Replace



Halo H-Type

Juno J-Type

Lightolier L-Type

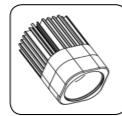
3 color temperature selectable



## 20W LED COB TRACK LIGHT



**K3023S**



NEW PRODUCTS  
COMING SOON

### DESCRIPTION

Color Temperature 2700K-6000K CRI 80+/90+3 Step MacAdam (3 SDMC)  
Passive aluminum heat sink  
Multiple connectors can share a lamp body  
3 color temperature selectable, convenient inventory and cost savings  
50,000 hrs average rated life

### DIMMING

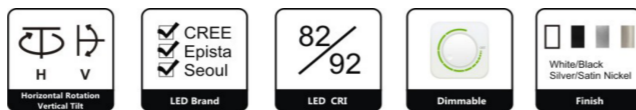
Track Dimming: (ELV) reverse phase control dimmers. 120V only.  
Dimmable 100 - 10%  
Canopy Dimming: ELV Dimming 120V

### DRIVER

Track luminaire is designed for use with the following track systems  
- Single Circuit/Single Neutral 120V  
- Two Circuit/Single Neutral 120V  
- Two Circuit / Two Neutral 120V  
- Two Circuit / Two Neutral 277V

### OPTICS

16° Spot, 24° Narrow Flood, 32° Flood, 50° Wide Flood



Easy to interchangeable  
3 types rail connectors

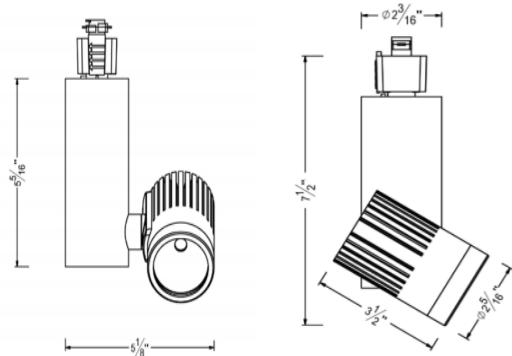


Halo H-Type Juno J-Type Lightolier L-Type

Only Need To Loosen 2 Screws To Replace

COB 20W = Halogen 100W

### DIMENSIONS



Material	Die cast aluminum
Input Voltage	120/277v 50/60Hz input
Wattage	8W/10W/12W/15W/20W
CCT	2700K-6000K,3CCT
PF	>0.98
CRI	80+/90+
Mounting	Track Mounting

### ORDERING GUIDE / YOUR PRODUCT CODE

SERIES	BEAM SPREAD	POWER SUPPLY	CCT	LED AVAILABLE	FINISH
K3023S 10W COB Track Light	16° Spot	Non-Dimming 120V	2700K	Philips	White
	24° Narrow Flood	Non-Dimming 277V	3000K	Cree	Black
	32° Flood	ELV Dimming 120V	4000K	Epistar	Silver
	50° Wide Flood		5000K	Seoul	Satin Nickel
			6000K	Osram	
		3CCT(3000K/4000K/5000K)			

\* Customized Also Available

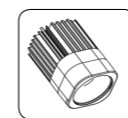
### LISTING / WARRANTY

ETL listed to US and Canadian standards for damp location W/Feed through.  
5 Years Limited Warranty.



## 30W LED COB TRACK LIGHT

**K3023M**



NEW PRODUCTS  
COMING SOON



### DESCRIPTION

Color Temperature 2700K-6000K CRI 80+/90+3 Step MacAdam (3 SDMC)  
Passive aluminum heat sink  
Multiple connectors can share a lamp body  
3 color temperature selectable, convenient inventory and cost savings  
50,000 hrs average rated life

### DIMMING

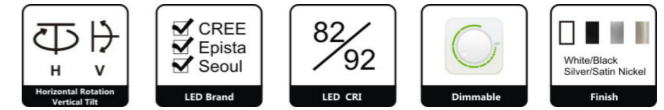
Track Dimming: (ELV) reverse phase control dimmers. 120V only.  
Dimmable 100 - 10%  
Canopy Dimming: ELV Dimming 120V

### DRIVER

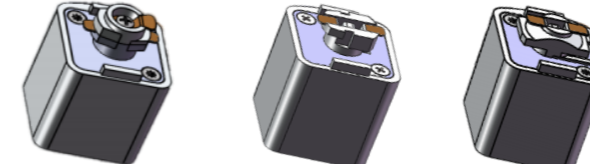
Track luminaire is designed for use with the following track systems  
- Single Circuit/Single Neutral 120V  
- Two Circuit/Single Neutral 120V  
- Two Circuit / Two Neutral 120V  
- Two Circuit / Two Neutral 277V

### OPTICS

16° Spot, 24° Narrow Flood, 32° Flood, 50° Wide Flood



Easy to interchangeable  
3 types rail connectors

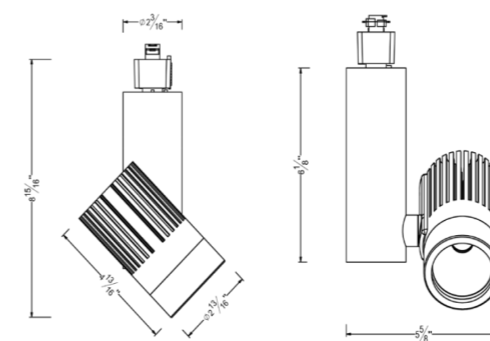


Halo H-Type Juno J-Type Lightolier L-Type

Only Need To Loosen 2 Screws To Replace

COB 30W = Halogen 150W

### DIMENSIONS



Material	Die cast aluminum
Input Voltage	120/277v 50/60Hz input
Wattage	20W/25W/30W
CCT	2700K-6000K,3CCT
PF	>0.98
CRI	80+/90+
Mounting	Track Mounting

### ORDERING GUIDE / YOUR PRODUCT CODE

SERIES	BEAM SPREAD	POWER SUPPLY	CCT	LED AVAILABLE	FINISH
K3023M 24W COB Track Light	16° Spot	Non-Dimming 120V	2700K	Philips	White
	24° Narrow Flood	Non-Dimming 277V	3000K	Cree	Black
	32° Flood	ELV Dimming 120V	4000K	Epistar	Silver
	50° Wide Flood		5000K	Seoul	Satin Nickel
			6000K	Osram	
		3CCT(3000K/4000K/5000K)			

\* Customized Also Available

### LISTING / WARRANTY

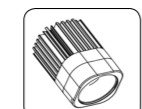
ETL listed to US and Canadian standards for damp location W/Feed through.  
5 Years Limited Warranty.



## 2X30W DOUBLE HEAD LED COB TRACK LIGHT



**K3023M2**



NEW PRODUCTS  
COMING SOON

### DESCRIPTION

Color Temperature 2700K-6000K CRI 80+/90+3 Step MacAdam (3 SDMC)  
Passive aluminum heat sink  
Multiple connectors can share a lamp body  
3 color temperature selectable, convenient inventory and cost savings  
50,000 hrs average rated life

### DIMMING

Track Dimming: (ELV) reverse phase control dimmers. 120V only.  
Dimmable 100 - 10%  
Canopy Dimming: ELV Dimming 120V

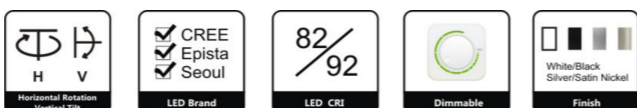
### DRIVER

Track luminaire is designed for use with the following track systems

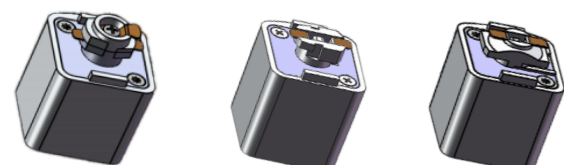
- Single Circuit/Single Neutral 120V
- Two Circuit/Single Neutral 120V
- Two Circuit / Two Neutral 120V
- Two Circuit / Two Neutral 277V

### OPTICS

16° Spot, 24° Narrow Flood, 32° Flood, 50° Wide Flood

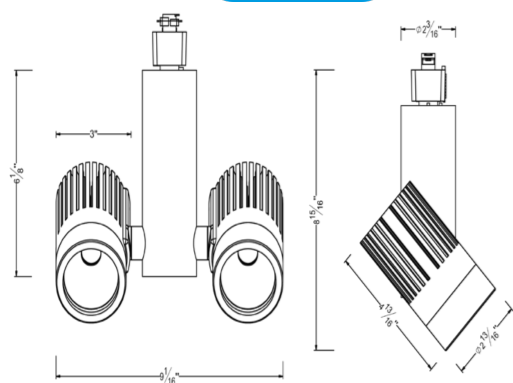


Easy to interchangeable  
3 types rail connectors



Halo H-Type  
Juno J-Type  
Lightolier L-Type  
Only Need To Loosen 2 Screws To Replace  
COB 2x30W = Halogen 2x150W

### DIMENSIONS



Material	Die cast aluminum
Input Voltage	120/277v 50/60Hz input
Wattage	2x(20W/25W/30W)
CCT	2700K-6000K,3CCT
PF	>0.98
CRI	80+/90+
Mounting	Track Mount

### ORDERING GUIDE / YOUR PRODUCT CODE

SERIES	BEAM SPREAD	POWER SUPPLY	CCT	LED AVAILABLE	FINISH
○ K3023M2 2x24W COB Track Light	○ 16° Spot	○ Non-Dimming 120V	○ 2700K	○ Philips	○ White
	○ 24° Narrow Flood	○ Non-Dimming 277V	○ 3000K	○ Cree	○ Black
	○ 32° Flood	○ ELV Dimming 120V	○ 4000K	○ Epistar	○ Silver
	○ 50° Wide Flood		○ 5000K	○ Seoul	○ Satin Nickel
			○ 6000K	○ Osram	
			○ 3CCT(3000K/4000K/5000K)		

\* Customized Also Available

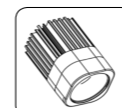
### LISTING / WARRANTY

ETL listed to US and Canadian standards for damp location W/Feed through.  
5 Years Limited Warranty.



## 45W LED COB TRACK LIGHT

**K3023L**



NEW PRODUCTS  
COMING SOON



### DESCRIPTION

Color Temperature 2700K-6000K CRI 80+/90+3 Step MacAdam (3 SDMC)  
Passive aluminum heat sink  
Multiple connectors can share a lamp body  
3 color temperature selectable, convenient inventory and cost savings  
50,000 hrs average rated life

### DIMMING

Track Dimming: (ELV) reverse phase control dimmers. 120V only.  
Dimmable 100 - 10%  
Canopy Dimming: ELV Dimming 120V

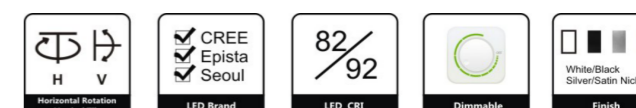
### DRIVER

Track luminaire is designed for use with the following track systems

- Single Circuit/Single Neutral 120V
- Two Circuit/Single Neutral 120V
- Two Circuit / Two Neutral 120V
- Two Circuit / Two Neutral 277V

### OPTICS

16° Spot, 24° Narrow Flood, 32° Flood, 50° Wide Flood

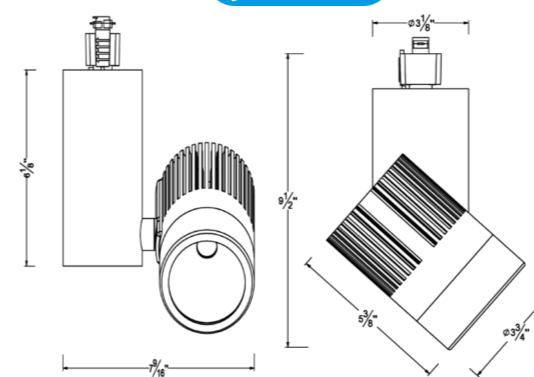


Easy to interchangeable  
3 types rail connectors



Halo H-Type  
Juno J-Type  
Lightolier L-Type  
Only Need To Loosen 2 Screws To Replace5  
COB 45W = Halogen 225W

### DIMENSIONS



Material	Die cast aluminum
Input Voltage	120/277v 50/60Hz input
Wattage	35W/40W/45W
CCT	2700K-6000K,3CCT
PF	>0.98
CRI	80+/90+
Mounting	Track Mount

### ORDERING GUIDE / YOUR PRODUCT CODE

SERIES	BEAM SPREAD	POWER SUPPLY	CCT	LED AVAILABLE	FINISH
○ K3023L 40W COB Track Light	○ 16° Spot	○ Non-Dimming 120V	○ 2700K	○ Philips	○ White
	○ 24° Narrow Flood	○ Non-Dimming 277V	○ 3000K	○ Cree	○ Black
	○ 32° Flood	○ ELV Dimming 120V	○ 4000K	○ Epistar	○ Silver
	○ 50° Wide Flood		○ 5000K	○ Seoul	○ Satin Nickel
			○ 6000K	○ Osram	
			○ 3CCT(3000K/4000K/5000K)		

\* Customized Also Available

### LISTING / WARRANTY

ETL listed to US and Canadian standards for damp location W/Feed through.  
5 Years Limited Warranty.



## FLUSH MOUNT VERTICAL LED COB TRACK LIGHT



### FM3024



NEW PRODUCTS  
COMING SOON



#### DESCRIPTION

Color Temperature 2700K-6000K CRI 80+/90+  
3 Step MacAdam (3 SDMC)  
Passive aluminum heat sink  
3 color temperature selectable, convenient inventory and cost savings  
50,000 hrs average rated life

#### DIMMING

Track Dimming: (ELV) reverse phase control dimmers. 120V only.  
Dimmable 100 - 10%

Canopy Dimming: ELV Dimming 120V

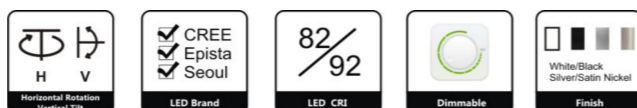
#### DRIVER

Track luminaire is designed for use with the following track systems

- Single Circuit/Single Neutral 120V
- Two Circuit/Single Neutral 120V
- Two Circuit / Two Neutral 120V
- Two Circuit / Two Neutral 277V

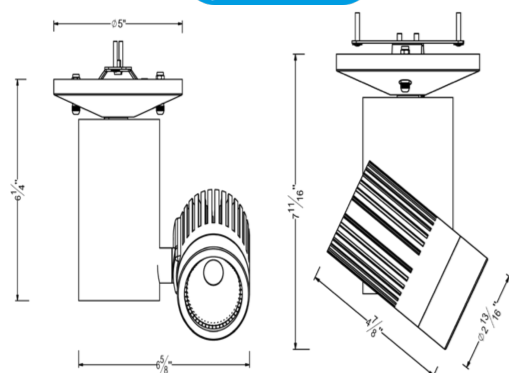
#### OPTICS

16° Spot, 24° Narrow Flood, 32° Flood, 50° Wide Flood



COB 32W = Halogen 160W

#### DIMENSIONS



Material	Die cast aluminum
Input Voltage	120/277v 50/60Hz input
Wattage	10W/15W/20W/25W/30W/35W/40W/45W
CCT	2700K-6000K,3CCT
PF	>0.98
CRI	80+/90+
Mounting	Canopy Mount

#### ORDERING GUIDE / YOUR PRODUCT CODE

SERIES	BEAM SPREAD	POWER SUPPLY	CCT	LED AVAILABLE	FINISH
○ K3023S-30W 30W COB Track Light	○ 16° Spot ○ 24° Narrow Flood	○ Non-Dimming 120V ○ Non-Dimming 277V	○ 2700K ○ 3000K	○ Philips ○ Cree	○ White ○ Black
○ K3023S-32W 32W COB Track Light	○ 32° Flood ○ 50° Wide Flood	○ ELV Dimming 120V	○ 4000K ○ 5000K ○ 6000K ○ 3CCT(3000K/4000K/5000K)	○ Epistar ○ Seoul ○ Osram	○ Silver ○ Satin Nickel

#### LISTING / WARRANTY

ETL listed to US and Canadian standards for damp location W/Feed through.  
5 Years Limited Warranty.



Liteharbor Harbor of Light!

## FLUSH MOUNT HORIZONTALLED COB TRACK LIGHT

### FM3024A



NEW PRODUCTS  
COMING SOON



#### DESCRIPTION

Color Temperature 2700K-6000K CRI 80+/90+  
3 Step MacAdam (3 SDMC)  
Passive aluminum heat sink  
3 color temperature selectable, convenient inventory and cost savings  
50,000 hrs average rated life

#### DIMMING

Track Dimming: (ELV) reverse phase control dimmers. 120V only.  
Dimmable 100 - 10%

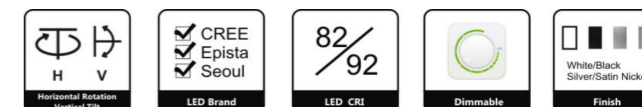
Canopy Dimming: ELV Dimming 120V

#### DRIVER ON BOX(DOB) Solution

This simplifying the design of LED lamp save the shipping costs while expanding the scope of application of a luminaire. The main advantages DOB LED luminaires are more reliable, have stable performance, longer service life and better resistance to extreme temperatures.

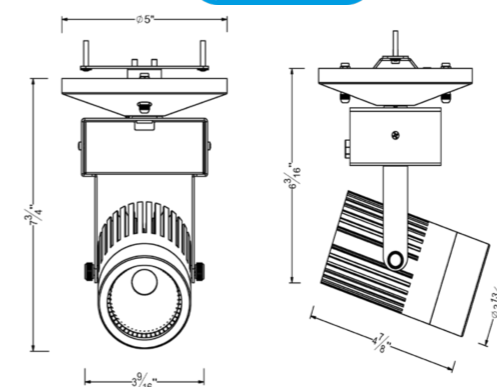
#### OPTICS

16° Spot, 24° Narrow Flood, 32° Flood, 50° Wide Flood



COB 30W = Halogen 150W

#### DIMENSIONS



Material	Die cast aluminum
Input Voltage	120/277v 50/60Hz input
Wattage	10W/15W/20W/25W/30W/35W/40W/45W
CCT	2700K-6000K,3CCT
PF	>0.98
CRI	80+/90+
Mounting	Canopy Mount

#### ORDERING GUIDE / YOUR PRODUCT CODE

SERIES	BEAM SPREAD	POWER SUPPLY	CCT	LED AVAILABLE	FINISH
○ FM3024A-30W 30W COB Track Light	○ 16° Spot ○ 24° Narrow Flood ○ 32° Flood ○ 50° Wide Flood	○ Non-Dimming 120V ○ Non-Dimming 277V ○ ELV Dimming 120V	○ 2700K ○ 3000K ○ 4000K ○ 5000K ○ 6000K ○ 3CCT(3000K/4000K/5000K)	○ Philips ○ Cree ○ Epistar ○ Seoul ○ Osram	○ White ○ Black ○ Silver ○ Satin Nickel

#### LISTING / WARRANTY

ETL listed to US and Canadian standards for damp location W/Feed through.  
5 Years Limited Warranty.

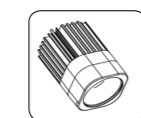


E-mail:info@liteharbor.com

## AC MODE CEILING/WALL MOUNT COB TRACK LIGHT WITH NO DRIVER



### FM3023M



NEW PRODUCTS COMING SOON



#### DESCRIPTION

Color Temperature 2700K-6000K CRI 80+/90+  
3 Step MacAdam (3 SDMC)  
Passive aluminum heat sink  
3 color temperature selectable, convenient inventory and cost savings  
50,000 hrs average rated life

#### DIMMING

Track Dimming: (ELV) reverse phase control dimmers. 120V only.  
Dimmable 100 - 10%  
Canopy Dimming: ELV Dimming 120V

#### HIGH VOLT COB CHIP(WITHOUT DRIVER)

This simplifying the design of LED lamp save the shipping costs while expanding the scope of application of a luminaire.  
The main advantages 120V/277V high volt COB chips are more reliable, have stable performance, longer service life and better resistance to extreme temperatures.

#### OPTICS

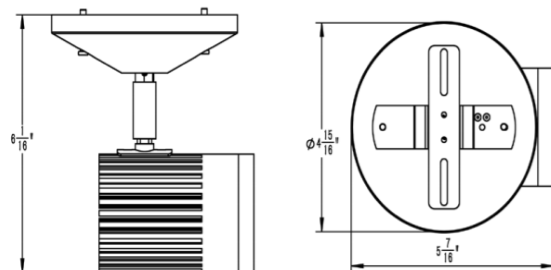
16° Spot, 24° Narrow Flood, 32° Flood, 50° Wide Flood



COB 24W = Halogen 120W

Mounts to a standard 4" square or octagon junction box.

#### DIMENSIONS



Material	Die cast aluminum
Input Voltage	120/277v 50/60Hz input
Wattage	10W/15W/20W/25W/30W/35W/40W/45W
CCT	2700K-6000K,3CCT
PF	>0.98
CRI	80+/90+
Mounting	Canopy Mount

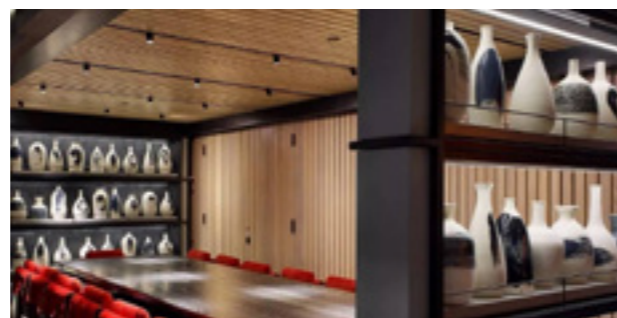
#### ORDERING GUIDE / YOUR PRODUCT CODE

SERIES	BEAM SPREAD	POWER SUPPLY	CCT	LED AVAILABLE	FINISH
○ FM3023M 24W COB Track Light	○ 16° Spot ○ 24° Narrow Flood ○ 32° Flood ○ 50° Wide Flood	○ Non-Dimming 120V ○ Non-Dimming 277V ○ ELV Dimming 120V	○ 2700K ○ 3000K ○ 4000K ○ 5000K ○ 6000K ○ 3CCT(3000K/4000K/5000K)	○ Philips ○ Cree ○ Epistar ○ Seoul ○ Osram	○ White ○ Black ○ Silver ○ Satin Nickel

\* Customized Also Available

#### LISTING / WARRANTY

ETL listed to US and Canadian standards for damp location W/Feed through.  
5 Years Limited Warranty.



Liteharbor Harbor of Light!

## LED COB TRACK LIGHT WITH FIXED TRACK BAR

### K3023-M1



NEW PRODUCTS COMING SOON



#### DESCRIPTION

Color Temperature 2700K-6000K CRI 80+/90+3 Step MacAdam (3 SDMC)  
Passive aluminum heat sink  
Multiple connectors can share a lamp body  
50,000 hrs average rated life

#### DIMMING

Track Dimming: (ELV) reverse phase control dimmers. 120V only.  
Dimmable 100 - 10%  
Canopy Dimming: ELV Dimming 120V

#### HIGH VOLT COB CHIP(WITHOUT DRIVER)

This simplifying the design of LED lamp save the shipping costs while expanding the scope of application of a luminaire.  
The main advantages 120V/277V high volt COB chips are more reliable, have stable performance, longer service life and better resistance to extreme temperatures.

#### OPTICS

16° Spot, 24° Narrow Flood, 32° Flood, 50° Wide Flood



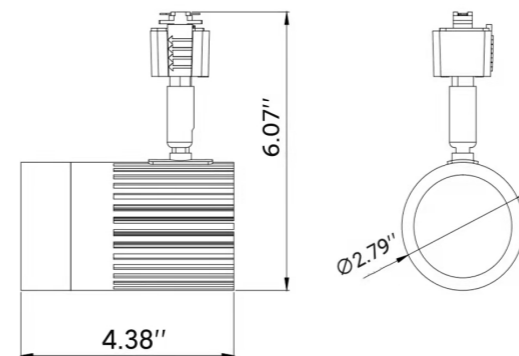
Easy to Interchangeable 3 types rail connectors



Only Need To Loosen 2 Screws To Replace

COB 24W = Halogen 120W

#### DIMENSIONS



Material	Die cast aluminum
Input Voltage	120/277v 50/60Hz input
Wattage	10W/15W/20W/25W/30W/35W/40W/45W
CCT	2700,3000K,3500K,4000K/5000K/6000K
PF	>0.98
CRI	80+/90+
Mounting	Track Mount

#### ORDERING GUIDE / YOUR PRODUCT CODE

SERIES	BEAM SPREAD	POWER SUPPLY	CCT	LED AVAILABLE	FINISH
○ K3023-M1 24W COB Track Light	○ 16° Spot ○ 24° Narrow Flood ○ 32° Flood ○ 50° Wide Flood	○ Non-Dimming 120V ○ Non-Dimming 277V ○ ELV Dimming 120V	○ 2700K ○ 3000K ○ 4000K ○ 5000K ○ 6000K	○ Philips ○ Cree ○ Epistar ○ Seoul ○ Osram	○ White ○ Black ○ Silver ○ Satin Nickel

\* Customized Also Available

#### LISTING / WARRANTY

ETL listed to US and Canadian standards for damp location W/Feed through.  
5 Years Limited Warranty.



www.liteharbor.com

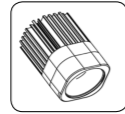
E-mail:info@liteharbor.com



## 30W LOW VOLT COB TRACK LIGHT WITH NO DRIVER



023-M2

NEW PRODUCTS  
COMING SOON

## FEATURES

Centrally powered driver 120V input at the light source becomes the output 24V power lamp beads. Low-voltage centralized power supply improves safety and reduces single lamp spare parts.

The structure of the track lights is compact and the appearance is simple and generous.  
24W max per lamp(track bar can be customized as required).  
The lighting has a wide range of adjustments, the vertical tunability is up to 90 degrees. It

provides good light output, high efficiency and energy saving, and can be suitable for various lighting places.  
Long life, low electromagnetic interference, low energy consumption, high performance and provides short circuit and over current protection.  
Dimming: Non-Dimming/DMX512 Dimming without flicker.  
3 color temperature selectable, convenient inventory and cost savings.

## SPECIFICATIONS

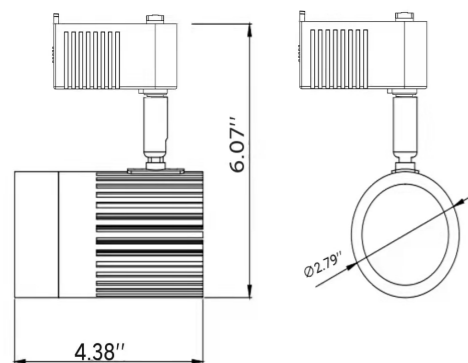
Radiator: Using cold forging radiator, fast heat dissipation, structure of the heat dissipation module, integrated balanced conduction convection, radiation heat, to ensure long product life.

Lens: Professional optical grade PMMA lens, a variety of beam angles (narrow 10°, medium 20°, wide 30°) are available, and other beam angles are available.

Spraying: Environmental protection electrostatic powder coating surface treatment process, durable wear.

COB 24W = Halogen 120W

## DIMENSIONS



Material	Die cast aluminum
Input Voltage	24V
Wattage	10W/15W/20W/25W/30W/35W/40W/45W
CCT	2700K-6000K,3CCT
PF	>0.98
CRI	80+/90+
Mounting	Track Mount

## ORDERING GUIDE / YOUR PRODUCT CODE

SERIES	BEAM SPREAD	POWER SUPPLY	CCT	LED AVAILABLE	FINISH
○ K3023-M2 24W COB Track Light	○ 16° Spot ○ 24° Narrow Flood ○ 32° Flood ○ 50° Wide Flood	○ Non-Dimming 24V ○ DMX512 Dimming	○ 2700K ○ 3000K ○ 4000K ○ 5000K ○ 6000K ○ 3CCT(3000K/4000K/5000K)	○ Philips ○ Cree ○ Epistar ○ Seoul ○ Osram	○ White ○ Black ○ Silver ○ Satin Nickel

\* Customized Also Available

## LISTING / WARRANTY

ETL listed to US and Canadian standards for damp location W/Feed through.  
5 Years Limited Warranty.



Liteharbor Harbor of Light!

## 30W LOW VOLT LED COB TRACK PENDANT LIGHT WITH FIXED TRACK BAR

AL3023-M1

NEW PRODUCTS  
COMING SOON

## FEATURES

Centrally powered driver 120V input at the light source becomes the output 24V power lamp beads. Low-voltage centralized power supply improves safety and reduces single lamp spare parts.

The structure of the track lights is compact and the appearance is simple and generous.  
24W max per lamp(track bar can be customized as required).  
The lighting has a wide range of adjustments, the vertical tunability is up to 90 degrees. It

provides good light output, high efficiency and energy saving, and can be suitable for various lighting places.  
Long life, low electromagnetic interference, low energy consumption, high performance and provides short circuit and over current protection.  
Dimming: Non-Dimming/DMX512 Dimming without flicker.  
3 color temperature selectable, convenient inventory and cost savings.

## SPECIFICATIONS

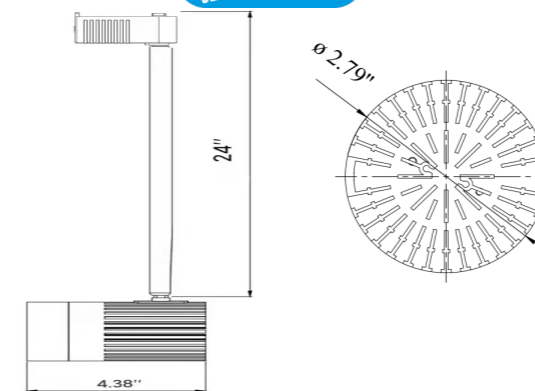
Radiator: Using cold forging radiator, fast heat dissipation, structure of the heat dissipation module, integrated balanced conduction convection, radiation heat, to ensure long product life.

Lens: Professional optical grade PMMA lens, a variety of beam angles (narrow 10°, medium 20°, wide 30°) are available, and other beam angles are available.

Spraying: Environmental protection electrostatic powder coating surface treatment process, durable wear.

COB 24W = Halogen 120W

## DIMENSIONS



Material	Die cast aluminum
Input Voltage	24V
Wattage	10W/15W/20W/25W/30W/35W/40W/45W
CCT	2700K-6000K,3CCT
PF	>0.98
CRI	80+/90+
Mounting	Track Pendant Mount

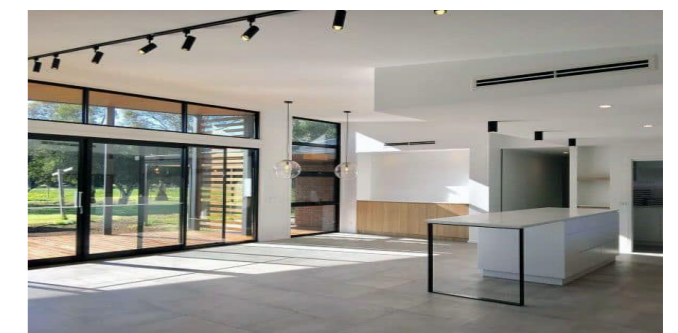
## ORDERING GUIDE / YOUR PRODUCT CODE

SERIES	BEAM SPREAD	POWER SUPPLY	CCT	MOUNTING	FINISH
○ AL3023M 24W COB Track Light	○ 16° Spot ○ 24° Narrow Flood ○ 32° Flood ○ 50° Wide Flood	○ Non-Dimming 24V ○ DMX512 Dimming	○ 2700K ○ 3000K ○ 4000K ○ 5000K ○ 6000K ○ 3CCT(3000K/4000K/5000K)	○ 12" Rigid Pendant ○ 18" Rigid Pendant ○ 24" Rigid Pendant ○ 36" Rigid Pendant ○ 48" Rigid Pendant (Track Pendant Mounted)	○ White ○ Black ○ Silver ○ Satin Nickel

\* Customized Also Available

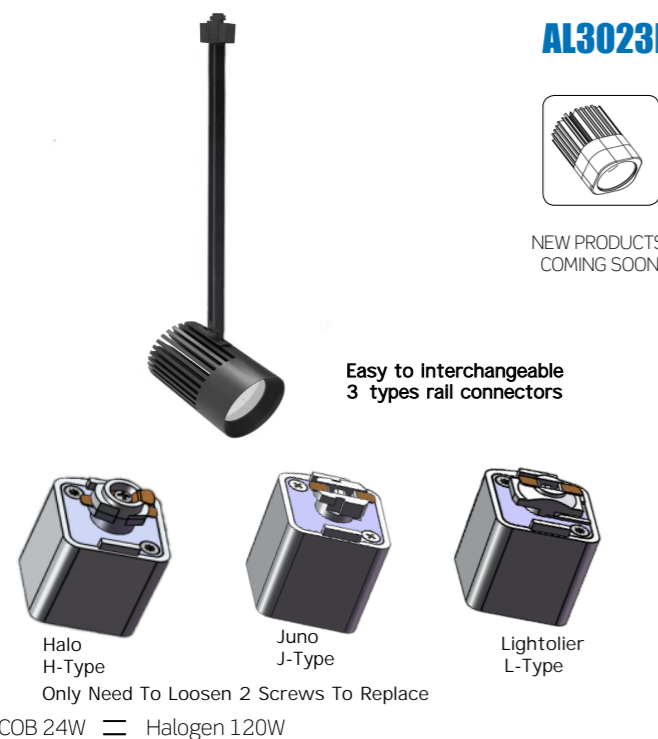
## LISTING / WARRANTY

ETL listed to US and Canadian standards for damp location W/Feed through.  
5 Years Limited Warranty.

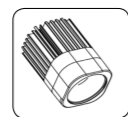


E-mail:info@liteharbor.com

## 30W TRACK PENDANT COB TRACK LIGHT WITH NO DRIVER



**AL3023M**



NEW PRODUCTS  
COMING SOON

### DESCRIPTION

Color Temperature 2700K-6000K  
CRI 80+/90+ (3 SDMC)  
3 Step MacAdam  
Passive aluminum heat sink  
Multiple connectors can share a lamp body  
50,000 hrs average rated life

### DIMMING

Track Dimming: (ELV) reverse phase control dimmers. 120V only.  
Dimmable 100 - 10%  
Canopy Dimming: ELV Dimming 120V

### HIGH VOLT COB CHIP(WITHOUT DRIVER)

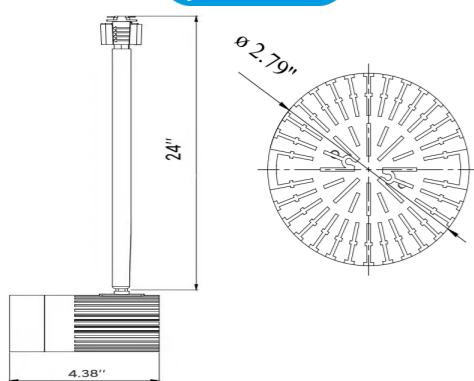
This simplifying the design of LED lamp save the shipping costs while expanding the scope of application of a luminaire. The main advantages 120V/277V high volt COB chips are more reliable, have stable performance, longer service life and better resistance to extreme temperatures.

### OPTICS

16° Spot, 24° Narrow Flood, 32° Flood, 50° Wide Flood



### DIMENSIONS



Material	Die cast aluminum
Input Voltage	120/277v 50/60Hz input
Wattage	10W/15W/20W/25W/30W/35W/40W/45W
CCT	2700,3000K,3500K,4000K/5000K/6000K
PF	>0.98
CRI	80+/90+
Mounting	Track Pendant Mount

### ORDERING GUIDE / YOUR PRODUCT CODE

SERIES	BEAM SPREAD	POWER SUPPLY	CCT	LMOUNTING	FINISH
○ FM3023M 24W COB Track Light	○ 16° Spot ○ 24° Narrow Flood ○ 32° Flood ○ 50° Wide Flood	○ Non-Dimming 120V ○ Non-Dimming 277V ○ ELV Dimming 120V	○ 2700K ○ 3000K ○ 4000K ○ 5000K ○ 6000K	○ 12" Rigid Pendant ○ 18" Rigid Pendant ○ 24" Rigid Pendant ○ 36" Rigid Pendant ○ 48" Rigid Pendant (Track Pendant Mounted)	○ White ○ Black ○ Silver ○ Satin Nickel

\* Customized Also Available

### LISTING / WARRANTY

ETL listed to US and Canadian standards for damp location W/Feed through. 5 Years Limited Warranty.



Liteharbor Harbor of Light!

## 3X30W LED COB TRACK PENDANT LIGHT WITH FIXED TRACK BAR

**AL3023-XM Series**



NEW PRODUCTS  
COMING SOON



COB 24W = Halogen 3X120W

### DESCRIPTION

Color Temperature 2700K-6000K CRI 80+ /90+  
3 Step MacAdam (3 SDMC)  
Passive aluminum heat sink  
Multiple connectors can share a lamp body  
50,000 hrs average rated life

### DIMMING

Track Dimming: (ELV) reverse phase control dimmers. 120V only.  
Dimmable 100 - 10%  
Canopy Dimming: ELV Dimming 120V

### HIGH VOLT COB CHIP(WITHOUT DRIVER)

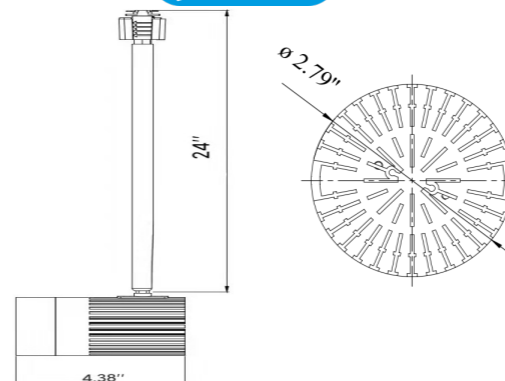
This simplifying the design of LED lamp save the shipping costs while expanding the scope of application of a luminaire. The main advantages 120V/277V high volt COB chips are more reliable, have stable performance, longer service life and better resistance to extreme temperatures.

### OPTICS

16° Spot, 24° Narrow Flood, 32° Flood, 50° Wide Flood



### DIMENSIONS



Material	Die cast aluminum
Input Voltage	120/277v 50/60Hz input
Wattage	10W/15W/20W/25W/30W/35W/40W/45W
CCT	2700,3000K,3500K,4000K/5000K/6000K
PF	>0.98
CRI	80+/90+
Mounting	Track Pendant Mount

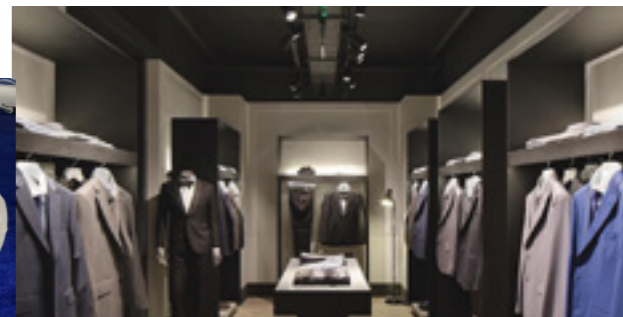
### ORDERING GUIDE / YOUR PRODUCT CODE

SERIES	BEAM SPREAD	POWER SUPPLY	CCT	MOUNTING	FINISH
○ AL3023M 24W COB Track Light	○ 16° Spot ○ 24° Narrow Flood ○ 32° Flood ○ 50° Wide Flood	○ Non-Dimming 120V ○ Non-Dimming 277V ○ ELV Dimming 120V	○ 2700K ○ 3000K ○ 4000K ○ 5000K ○ 6000K	○ 12" Rigid Pendant ○ 18" Rigid Pendant ○ 24" Rigid Pendant ○ 36" Rigid Pendant ○ 48" Rigid Pendant	○ White ○ Black ○ Silver ○ Satin Nickel

\* Customized Also Available

### LISTING / WARRANTY

ETL listed to US and Canadian standards for damp location W/Feed through. 5 Years Limited Warranty.



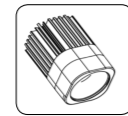
www.liteharbor.com

E-mail:info@liteharbor.com

## 30W SQUARE LED COB TRACK LIGHT



**K3023M-S**



NEW PRODUCTS  
COMING SOON

### DESCRIPTION

Color Temperature 2700K-6000K CRI 80+/90+3 Step MacAdam (3 SDMC)  
Passive aluminum heat sink  
Multiple connectors can share a lamp body  
3 color temperature selectable, convenient inventory and cost savings  
50,000 hrs average rated life

### DIMMING

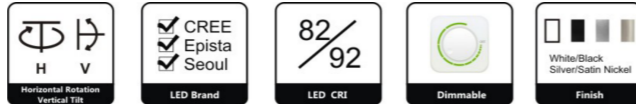
Track Dimming: (ELV) reverse phase control dimmers. 120V only.  
Dimmable 100 - 10%  
Canopy Dimming: ELV Dimming 120V

### DRIVER

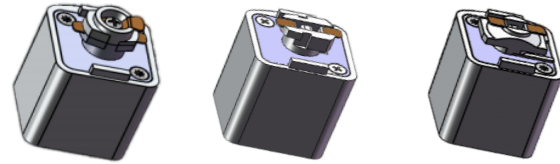
Track luminaire is designed for use with the following track systems  
- Single Circuit/Single Neutral 120V  
- Two Circuit/Single Neutral 120V  
- Two Circuit / Two Neutral 120V  
- Two Circuit / Two Neutral 277V

### OPTICS

16° Spot, 24° Narrow Flood, 32° Flood, 50° Wide Flood



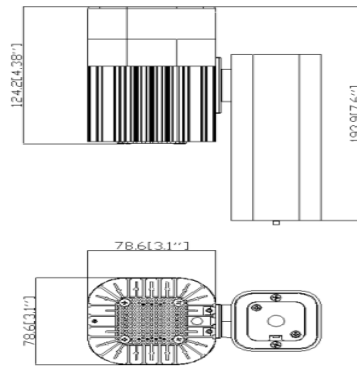
Easy to interchangeable  
3 types rail connectors



Halo H-Type  
Juno J-Type  
Lightolier L-Type  
Only Need To Loosen 2 Screws To Replace

COB 30W = Halogen 150W

### DIMENSIONS



Material	Die cast aluminum
Input Voltage	120/277v 50/60Hz input
Wattage	20W/25W/30W
CCT	2700K-6000K,3CCT
PF	>0.98
CRI	80+/90+
Mounting	Track Mounting

### ORDERING GUIDE / YOUR PRODUCT CODE

SERIES	BEAM SPREAD	POWER SUPPLY	CCT	LED AVAILABLE	FINISH
K3023M-S 30W COB Track Light	16° Spot	Non-Dimming 120V	2700K	Philips	White
	24° Narrow Flood	Non-Dimming 277V	3000K	Cree	Black
	32° Flood	ELV Dimming 120V	4000K	Epistar	Silver
	50° Wide Flood		5000K	Seoul	Satin Nickel
			6000K	Osram	
		3CCT(3000K/4000K/5000K)			

\* Customized Also Available

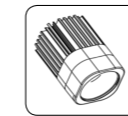
### LISTING / WARRANTY

ETL listed to US and Canadian standards for damp location W/Feed through.  
5 Years Limited Warranty.



## 30W SQUARE FLUSH MOUNT VERTICAL LED COB TRACK LIGHT

**FM3024-S**



NEW PRODUCTS  
COMING SOON



### DESCRIPTION

Color Temperature 2700K-6000K CRI 80+/90+3 Step MacAdam (3 SDMC)  
Passive aluminum heat sink  
Multiple connectors can share a lamp body  
3 color temperature selectable, convenient inventory and cost savings  
50,000 hrs average rated life

### DIMMING

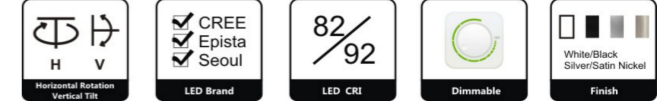
Track Dimming: (ELV) reverse phase control dimmers. 120V only.  
Dimmable 100 - 10%  
Canopy Dimming: ELV Dimming 120V

### DRIVER

Track luminaire is designed for use with the following track systems  
- Single Circuit/Single Neutral 120V  
- Two Circuit/Single Neutral 120V  
- Two Circuit / Two Neutral 120V  
- Two Circuit / Two Neutral 277V

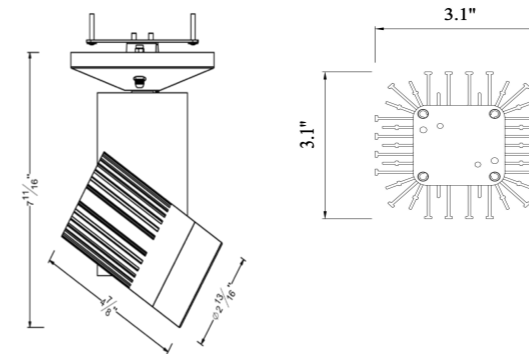
### OPTICS

16° Spot, 24° Narrow Flood, 32° Flood, 50° Wide Flood



COB 30W = Halogen 150W

### DIMENSIONS



Material	Die cast aluminum
Input Voltage	120/277v 50/60Hz input
Wattage	20W/25W/30W
CCT	2700K-6000K,3CCT
PF	>0.98
CRI	80+/90+
Mounting	Track Mounting

### ORDERING GUIDE / YOUR PRODUCT CODE

SERIES	BEAM SPREAD	POWER SUPPLY	CCT	LED AVAILABLE	FINISH
FM3024-S 30W COB Track Light	16° Spot	Non-Dimming 120V	2700K	Philips	White
	24° Narrow Flood	Non-Dimming 277V	3000K	Cree	Black
	32° Flood	ELV Dimming 120V	4000K	Epistar	Silver
	50° Wide Flood		5000K	Seoul	Satin Nickel
			6000K	Osram	
		3CCT(3000K/4000K/5000K)			

\* Customized Also Available

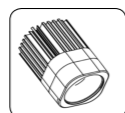
### LISTING / WARRANTY

ETL listed to US and Canadian standards for damp location W/Feed through.  
5 Years Limited Warranty.



## CANOPY SQUARE 30W DOUBLE HEAD LED COB TRACK LIGHT

### FM3023M-S



NEW PRODUCTS  
COMING SOON



#### DESCRIPTION

Color Temperature 2700K-6000K CRI 80+/90+  
3 Step MacAdam (3 SDMC)  
Passive aluminum heat sink  
3 color temperature selectable, convenient inventory and cost savings  
50,000 hrs average rated life

#### DIMMING

Track Dimming: (ELV) reverse phase control dimmers. 120V only.  
Dimmable 100 - 10%  
Canopy Dimming: ELV Dimming 120V

#### HIGH VOLT COB CHIP(WITHOUT DRIVER)

This simplifying the design of LED lamp save the shipping costs while expanding the scope of application of a luminaire.  
The main advantages 120V/277V high volt COB chips are more reliable, have stable performance, longer service life and better resistance to extreme temperatures.

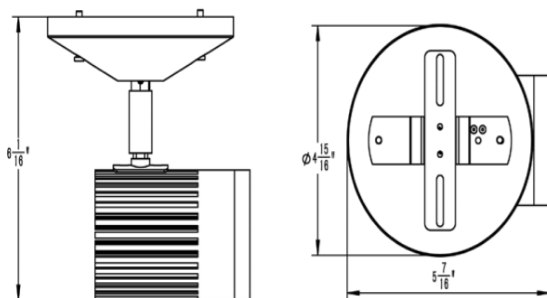
#### OPTICS

16° Spot, 24° Narrow Flood, 32° Flood, 50° Wide Flood



COB 30W = Halogen 150W

#### DIMENSIONS



Material	Die cast aluminum
Input Voltage	120/277v 50/60Hz input
Wattage	20W/25W/30W
CCT	2700K-6000K,3CCT
PF	>0.98
CRI	80+/90+
Mounting	Track Mount

#### ORDERING GUIDE / YOUR PRODUCT CODE

SERIES	BEAM SPREAD	POWER SUPPLY	CCT	LED AVAILABLE	FINISH
○ FM3023M-S 30W COB Track Light	○ 16° Spot ○ 24° Narrow Flood ○ 32° Flood ○ 50° Wide Flood	○ Non-Dimming 120V ○ Non-Dimming 277V ○ ELV Dimming 120V	○ 2700K ○ 3000K ○ 4000K ○ 5000K ○ 6000K ○ 3CCT(3000K/4000K/5000K)	○ Philips ○ Cree ○ Epistar ○ Seoul ○ Osram	○ White ○ Black ○ Silver ○ Satin Nickel

#### LISTING / WARRANTY

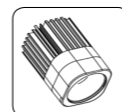
ETL listed to US and Canadian standards for damp location W/Feed through.  
5 Years Limited Warranty.



Liteharbor Harbor of Light!

## 30W SQUARELED COB TRACK LIGHT

### K3023M-S



NEW PRODUCTS  
COMING SOON



#### DESCRIPTION

Color Temperature 2700K-6000K CRI 80+/90+  
3 Step MacAdam (3 SDMC)  
Passive aluminum heat sink  
Multiple connectors can share a lamp body  
50,000 hrs average rated life

#### DIMMING

Track Dimming: (ELV) reverse phase control dimmers. 120V only.  
Dimmable 100 - 10%  
Canopy Dimming: ELV Dimming 120V

#### HIGH VOLT COB CHIP(WITHOUT DRIVER)

This simplifying the design of LED lamp save the shipping costs while expanding the scope of application of a luminaire.  
The main advantages 120V/277V high volt COB chips are more reliable, have stable performance, longer service life and better resistance to extreme temperatures.

#### OPTICS

16° Spot, 24° Narrow Flood, 32° Flood, 50° Wide Flood



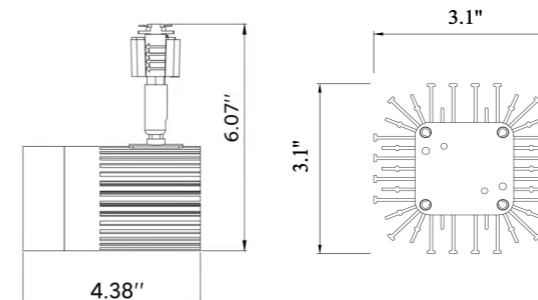
#### Easy to Interchangeable 3 types rail connectors



Only Need To Loosen 2 Screws To Replace

COB 30W = Halogen 150W

#### DIMENSIONS



Material	Die cast aluminum
Input Voltage	120/277v 50/60Hz input
Wattage	20W/25W/30W
CCT	2700K-6000K
PF	>0.98
CRI	80+/90+
Mounting	Track Mount

#### ORDERING GUIDE / YOUR PRODUCT CODE

SERIES	BEAM SPREAD	POWER SUPPLY	CCT	LED AVAILABLE	FINISH
○ K3023M-S 30W COB Track Light	○ 16° Spot ○ 24° Narrow Flood ○ 32° Flood ○ 50° Wide Flood	○ Non-Dimming 120V ○ Non-Dimming 277V ○ ELV Dimming 120V	○ 2700K ○ 3000K ○ 4000K ○ 5000K ○ 6000K	○ Philips ○ Cree ○ Epistar ○ Seoul ○ Osram	○ White ○ Black ○ Silver ○ Satin Nickel

\* Customized Also Available

#### LISTING / WARRANTY

ETL listed to US and Canadian standards for damp location W/Feed through.  
5 Years Limited Warranty.



www.liteharbor.com

E-mail:info@liteharbor.com

## LOW VOLT TRACK MOUNT 30W LED COB TRACK LIGHT

## LOW VOLT TRACK PENDANT MOUNT 30W LED COB TRACK LIGHT



## K3023-SM2

NEW PRODUCTS  
COMING SOON

## FEATURES

Centrally powered driver 120V input at the light source becomes the output 24V power lamp beads. Low-voltage centralized power supply improves safety and reduces single lamp spare parts.

The structure of the track lights is compact and the appearance is simple and generous.  
24W max per lamp(track bar can be customized as required).  
The lighting has a wide range of adjustments, the vertical tunability is up to 90 degrees. It

provides good light output, high efficiency and energy saving, and can be suitable for various lighting places.  
Long life, low electromagnetic interference, low energy consumption, high performance and provides short circuit and over current protection.  
Dimming: Non-Dimming/DMX512 Dimming without flicker.  
3 color temperature selectable, convenient inventory and cost savings.

## SPECIFICATIONS

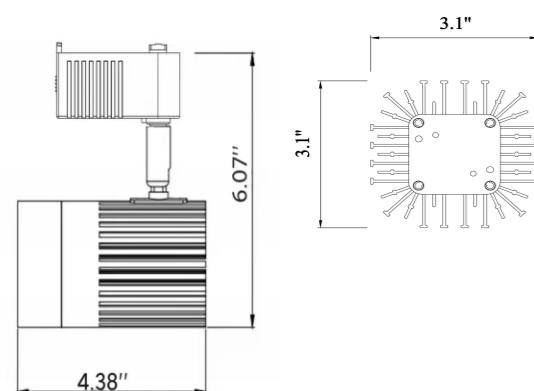
Radiator: Using cold forging radiator, fast heat dissipation, structure of the heat dissipation module, integrated balanced conduction convection, radiation heat, to ensure long product life.

Lens: Professional optical grade PMMA lens, a variety of beam angles (narrow 10°, medium 20°, wide 30°) are available, and other beam angles are available.

Spraying: Environmental protection electrostatic powder coating surface treatment process, durable wear.

COB 30W Halogen 150W

## DIMENSIONS



Material	Die cast aluminum
Input Voltage	24V
Wattage	20W/25W/30W
CCT	2700K-6000K,3CCT
PF	>0.98
CRI	80+/90+
Mounting	Canopy Mount

ORDERING GUIDE / YOUR PRODUCT CODE

SERIES	BEAM SPREAD	POWER SUPPLY	CCT	LED AVAILABLE	FINISH
<input type="radio"/> K3023S-SM2 30W COB Track Light	<input type="radio"/> 16° Spot <input type="radio"/> 24° Narrow Flood <input type="radio"/> 32° Flood <input type="radio"/> 50° Wide Flood	<input type="radio"/> Non-Dimming 24V <input type="radio"/> DMX512 Dimming	<input type="radio"/> 2700K <input type="radio"/> 3000K <input type="radio"/> 4000K <input type="radio"/> 5000K <input type="radio"/> 6000K <input type="radio"/> 3CCT(3000K/4000K/5000K)	<input type="radio"/> Philips <input type="radio"/> Cree <input type="radio"/> Epistar <input type="radio"/> Seoul <input type="radio"/> Osram	<input type="radio"/> White <input type="radio"/> Black <input type="radio"/> Silver <input type="radio"/> Satin Nickel

\* Customized Also Available

## LISTING / WARRANTY

ETL listed to US and Canadian standards for damp location W/Feed through.  
5 Years Limited Warranty.



Liteharbor Harbor of Light!

## AL3023-SM1

NEW PRODUCTS  
COMING SOON

## FEATURES

Centrally powered driver 120V input at the light source becomes the output 24V power lamp beads. Low-voltage centralized power supply improves safety and reduces single lamp spare parts.

The structure of the track lights is compact and the appearance is simple and generous.  
24W max per lamp(track bar can be customized as required).  
The lighting has a wide range of adjustments, the vertical tunability is up to 90 degrees. It

provides good light output, high efficiency and energy saving, and can be suitable for various lighting places.  
Long life, low electromagnetic interference, low energy consumption, high performance and provides short circuit and over current protection.  
Dimming: Non-Dimming/DMX512 Dimming without flicker.  
3 color temperature selectable, convenient inventory and cost savings.

## SPECIFICATIONS

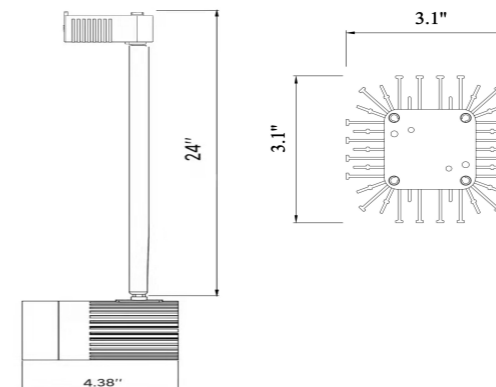
Radiator: Using cold forging radiator, fast heat dissipation, structure of the heat dissipation module, integrated balanced conduction convection, radiation heat, to ensure long product life.

Lens: Professional optical grade PMMA lens, a variety of beam angles (narrow 10°, medium 20°, wide 30°) are available, and other beam angles are available.

Spraying: Environmental protection electrostatic powder coating surface treatment process, durable wear.

COB 30W Halogen 150W

## DIMENSIONS



Material	Die cast aluminum
Input Voltage	24V
Wattage	20W/25W/30W
CCT	2700K-6000K,3CCT
PF	>0.98
CRI	80+/90+
Mounting	Canopy Mount

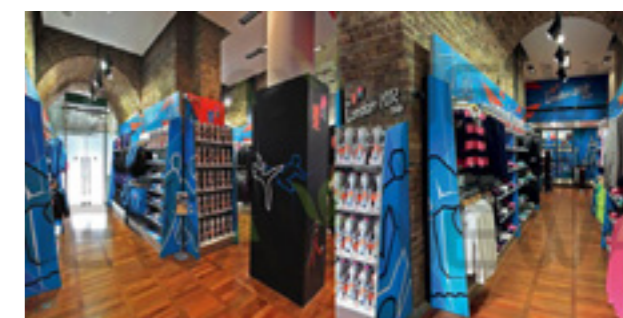
ORDERING GUIDE / YOUR PRODUCT CODE

SERIES	BEAM SPREAD	POWER SUPPLY	CCT	LED AVAILABLE	FINISH
<input type="radio"/> AL3023-SM1 30W COB Track Light	<input type="radio"/> 16° Spot <input type="radio"/> 24° Narrow Flood <input type="radio"/> 32° Flood <input type="radio"/> 50° Wide Flood	<input type="radio"/> Non-Dimming 24V <input type="radio"/> DMX512 Dimming	<input type="radio"/> 2700K <input type="radio"/> 3000K <input type="radio"/> 4000K <input type="radio"/> 5000K <input type="radio"/> 6000K <input type="radio"/> 3CCT(3000K/4000K/5000K)	<input type="radio"/> Philips <input type="radio"/> Cree <input type="radio"/> Epistar <input type="radio"/> Seoul <input type="radio"/> Osram	<input type="radio"/> White <input type="radio"/> Black <input type="radio"/> Silver <input type="radio"/> Satin Nickel

\* Customized Also Available

## LISTING / WARRANTY

ETL listed to US and Canadian standards for damp location W/Feed through.  
5 Years Limited Warranty.

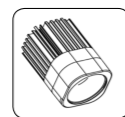


E-mail:info@liteharbor.com

24

## 30W TRACK PENDANT COB TRACK LIGHT WITH NO DRIVER

### AL3023M-S



NEW PRODUCTS  
COMING SOON

#### DESCRIPTION

Color Temperature 2700K-6000K  
CRI 80+/90+ (3 SDMC)  
3 Step MacAdam  
Passive aluminum heat sink  
Multiple connectors can share a lamp body  
50,000 hrs average rated life

#### DIMMING

Track Dimming: (ELV) reverse phase control dimmers. 120V only.  
Dimmable 100 - 10%  
Canopy Dimming: ELV Dimming 120V

#### HIGH VOLT COB CHIP(WITHOUT DRIVER)

This simplifying the design of LED lamp save the shipping costs while expanding the scope of application of a luminaire. The main advantages 120V/277V high volt COB chips are more reliable, have stable performance, longer service life and better resistance to extreme temperatures.

#### OPTICS

16° Spot, 24° Narrow Flood, 32° Flood, 50° Wide Flood



Easy to interchangeable  
3 types rail connectors

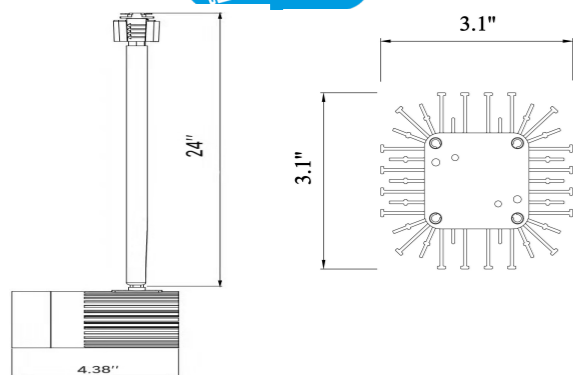


Halo H-Type Juno J-Type Lightolier L-Type

Only Need To Loosen 2 Screws To Replace

COB 30W = Halogen 150W

#### DIMENSIONS



Material	Die cast aluminum
Input Voltage	120/277v 50/60Hz input
Wattage	20W/25W/30W
CCT	2700,3000K,3500K,4000K/5000K/6000K
PF	>0.98
CRI	80+/90+
Mounting	Track Pendant Mount

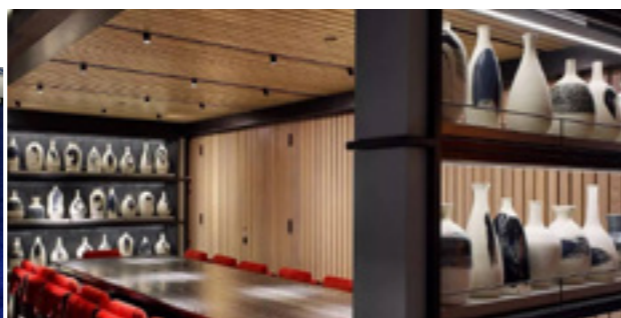
#### ORDERING GUIDE / YOUR PRODUCT CODE

SERIES	BEAM SPREAD	POWER SUPPLY	CCT	LMOUNTING	FINISH
○ FM3023M-S 30W COB Track Light	○ 16° Spot ○ 24° Narrow Flood ○ 32° Flood ○ 50° Wide Flood	○ Non-Dimming 120V ○ Non-Dimming 277V ○ ELV Dimming 120V	○ 2700K ○ 3000K ○ 4000K ○ 5000K ○ 6000K	○ 12" Rigid Pendant ○ 18" Rigid Pendant ○ 24" Rigid Pendant ○ 36" Rigid Pendant ○ 48" Rigid Pendant (Track Pendant Mounted)	○ White ○ Black ○ Silver ○ Satin Nickel

\* Customized Also Available

#### LISTING / WARRANTY

ETL listed to US and Canadian standards for damp location W/Feed through.  
5 Years Limited Warranty.



Liteharbor Harbor of Light!

## 3X30W LED COB TRACK PENDANT LIGHT WITH FIXED TRACK BAR

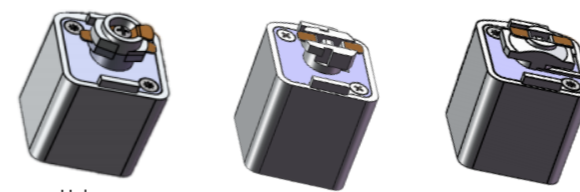
### AL3023-XSM Series



NEW PRODUCTS  
COMING SOON



Easy to interchangeable  
3 types rail connectors



Halo H-Type Juno J-Type Lightolier L-Type

Only Need To Loosen 2 Screws To Replace

COB 30W = Halogen 3X150W

#### DESCRIPTION

Color Temperature 2700K-6000K CRI 80+/90+  
3 Step MacAdam (3 SDMC)  
Passive aluminum heat sink  
Multiple connectors can share a lamp body  
50,000 hrs average rated life

#### DIMMING

Track Dimming: (ELV) reverse phase control dimmers. 120V only.  
Dimmable 100 - 10%  
Canopy Dimming: ELV Dimming 120V

#### HIGH VOLT COB CHIP(WITHOUT DRIVER)

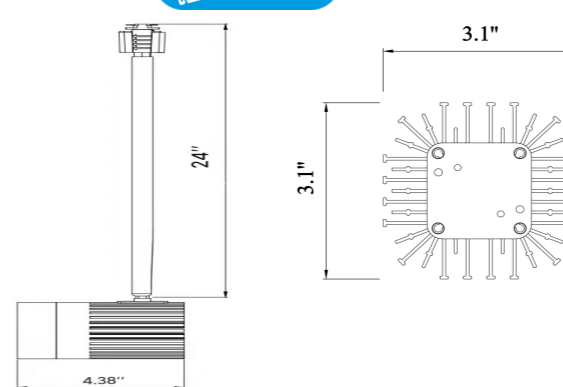
This simplifying the design of LED lamp save the shipping costs while expanding the scope of application of a luminaire. The main advantages 120V/277V high volt COB chips are more reliable, have stable performance, longer service life and better resistance to extreme temperatures.

#### OPTICS

16° Spot, 24° Narrow Flood, 32° Flood, 50° Wide Flood



#### DIMENSIONS



Material	Die cast aluminum
Input Voltage	120/277v 50/60Hz input
Wattage	3X ( 20W/25W/30W )
CCT	2700,3000K,3500K,4000K/5000K/6000K
PF	>0.98
CRI	80+/90+
Mounting	Track Pendant Mount

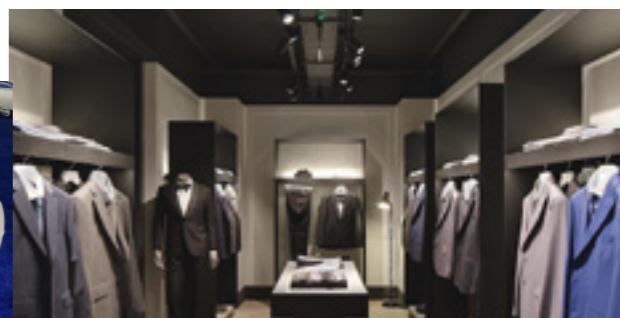
#### ORDERING GUIDE / YOUR PRODUCT CODE

SERIES	BEAM SPREAD	POWER SUPPLY	CCT	MOUNTING	FINISH
○ AL3023-XSM Series 30W COB Track Light	○ 16° Spot ○ 24° Narrow Flood ○ 32° Flood ○ 50° Wide Flood	○ Non-Dimming 120V ○ Non-Dimming 277V ○ ELV Dimming 120V	○ 2700K ○ 3000K ○ 4000K ○ 5000K ○ 6000K	○ 12" Rigid Pendant ○ 18" Rigid Pendant ○ 24" Rigid Pendant ○ 36" Rigid Pendant ○ 48" Rigid Pendant	○ White ○ Black ○ Silver ○ Satin Nickel

\* Customized Also Available

#### LISTING / WARRANTY

ETL listed to US and Canadian standards for damp location W/Feed through.  
5 Years Limited Warranty.



www.liteharbor.com

E-mail:info@liteharbor.com

## 21W LED COB TRACK LIGHT

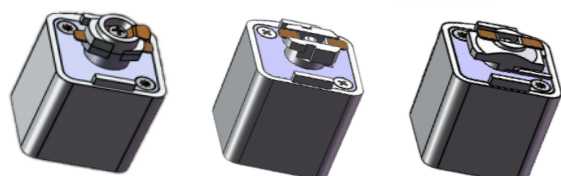


**K4023S**

NEW PRODUCTS  
COMING SOON



Easy to Interchangeable  
3 types rail connectors



Halo H-Type  
Juno J-Type  
Lightolier L-Type  
Only Need To Loosen 2 Screws To Replace

COB 21W = Halogen 105W

### DESCRIPTION

Color Temperature 2700K-6000K CRI 80+/90+3 Step MacAdam (3 SDMC)  
Passive aluminum heat sink  
Multiple connectors can share a lamp body  
3 color temperature selectable, convenient inventory and cost savings  
50,000 hrs average rated life

### DIMMING

Track Dimming: (ELV) reverse phase control dimmers. 120V only.  
Dimmable 100 - 10%  
Canopy Dimming: ELV Dimming 120V

### DRIVER

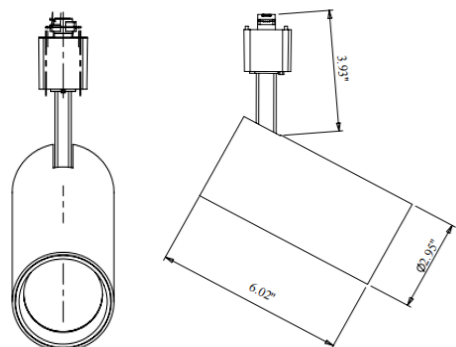
Track luminaire is designed for use with the following track systems  
- Single Circuit/Single Neutral 120V  
- Two Circuit/Single Neutral 120V  
- Two Circuit / Two Neutral 120V  
- Two Circuit / Two Neutral 277V

### OPTICS

16° Spot, 24° Narrow Flood, 32° Flood, 50° Wide Flood



### DIMENSIONS



Material	Die cast aluminum
Input Voltage	120/277v 50/60Hz input
Wattage	10W/15W/21W
CCT	2700K-6000K,3CCT
PF	>0.98
CRI	80+/90+
Mounting	Track Mount

### ORDERING GUIDE / YOUR PRODUCT CODE

SERIES	BEAM SPREAD	POWER SUPPLY	CCT	LED AVAILABLE	FINISH
K4023S 15W COB Track Light	16° Spot	Non-Dimming 120V	2700K	Philips	White
	24° Narrow Flood	Non-Dimming 277V	3000K	Cree	Black
	32° Flood	ELV Dimming 120V	4000K	Epistar	Silver
	50° Wide Flood		5000K	Seoul	Satin Nickel
			6000K	Osram	
		3CCT(3000K/4000K/5000K)			

\* Customized Also Available

### LISTING / WARRANTY

ETL listed to US and Canadian standards for damp location W/Feed through.  
5 Years Limited Warranty.



Liteharbor Harbor of Light!

## 28W LED COB TRACK LIGHT

**K4023M**

NEW PRODUCTS  
COMING SOON



Easy to Interchangeable  
3 types rail connectors



Halo H-Type  
Juno J-Type  
Lightolier L-Type  
Only Need To Loosen 2 Screws To Replace

COB 28W = Halogen 145W

### DESCRIPTION

Color Temperature 2700K-6000K CRI 80+/90+3 Step MacAdam (3 SDMC)  
Passive aluminum heat sink  
Multiple connectors can share a lamp body  
3 color temperature selectable, convenient inventory and cost savings  
50,000 hrs average rated life

### DIMMING

Track Dimming: (ELV) reverse phase control dimmers. 120V only.  
Dimmable 100 - 10%  
Canopy Dimming: ELV Dimming 120V

### DRIVER

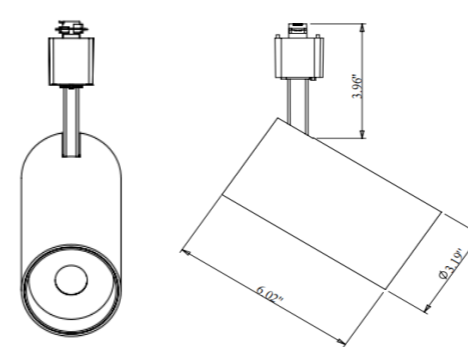
Track luminaire is designed for use with the following track systems  
- Single Circuit/Single Neutral 120V  
- Two Circuit/Single Neutral 120V  
- Two Circuit / Two Neutral 120V  
- Two Circuit / Two Neutral 277V

### OPTICS

16° Spot, 24° Narrow Flood, 32° Flood, 50° Wide Flood



### DIMENSIONS



Material	Die cast aluminum
Input Voltage	120/277v 50/60Hz input
Wattage	25W/28W
CCT	2700K-6000K,3CCT
PF	>0.98
CRI	80+/90+
Mounting	Track Mount

### ORDERING GUIDE / YOUR PRODUCT CODE

SERIES	BEAM SPREAD	POWER SUPPLY	CCT	LED AVAILABLE	FINISH
K4023M 25W COB Track Light	16° Spot	Non-Dimming 120V	2700K	Philips	White
	24° Narrow Flood	Non-Dimming 277V	3000K	Cree	Black
	32° Flood	ELV Dimming 120V	4000K	Epistar	Silver
	50° Wide Flood		5000K	Seoul	Satin Nickel
			6000K	Osram	
		3CCT(3000K/4000K/5000K)			

\* Customized Also Available

### LISTING / WARRANTY

ETL listed to US and Canadian standards for damp location W/Feed through.  
5 Years Limited Warranty.



www.liteharbor.com

E-mail:info@liteharbor.com

## 28W AC MODE CEILING/WALL MOUNT COB TRACK LIGHT WITH NO DRIVER



**FM4023M**

NEW PRODUCTS  
COMING SOON



### DESCRIPTION

Color Temperature 2700K-6000K  
CRI 80+ /90+  
3 Step MacAdam (3 SDMC)  
Passive aluminum heat sink  
3 color temperature selectable, convenient inventory and cost savings  
50,000 hrs average rated life

### DIMMING

Track Dimming: (ELV) reverse phase control dimmers. 120V only.  
Dimmable 100 - 10%

Canopy Dimming: ELV Dimming 120V

### DRIVER

Track luminaire is designed for use with the following track systems

- Single Circuit/Single Neutral 120V
- Two Circuit/Single Neutral 120V
- Two Circuit / Two Neutral 120V
- Two Circuit / Two Neutral 277V

### OPTICS

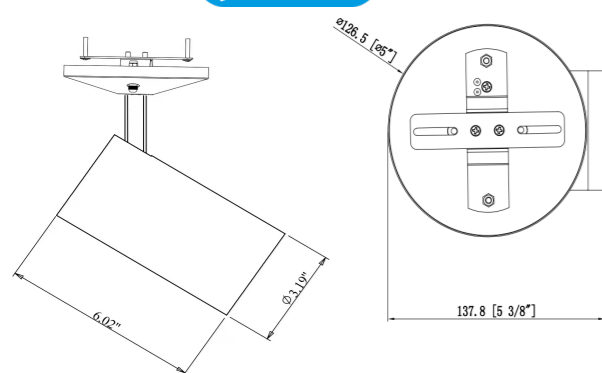
16° Spot, 24° Narrow Flood, 32° Flood, 50° Wide Flood



COB 28W = Halogen 145W

Mounts to a standard 4" square or octagon junction box.

### DIMENSIONS



Material	Die cast aluminum
Input Voltage	120/277v 50/60Hz input
Wattage	10W/15W/21W/25W/28W
CCT	2700K-6000K,3CCT
PF	>0.98
CRI	80+ /90+
Mounting	Canopy Mount

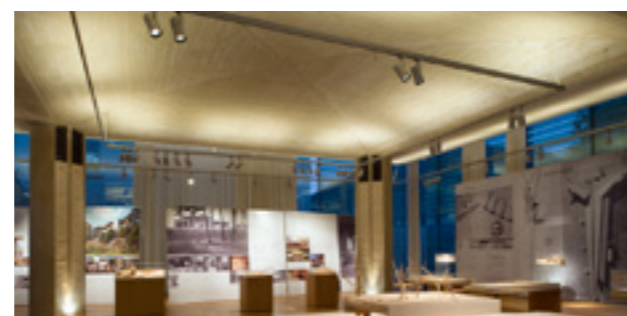
### ORDERING GUIDE / YOUR PRODUCT CODE

SERIES	BEAM SPREAD	POWER SUPPLY	CCT	LED AVAILABLE	FINISH
○ FM4023M 25W COB Track Light	○ 16° Spot ○ 24° Narrow Flood ○ 32° Flood ○ 50° Wide Flood	○ Non-Dimming 120V ○ Non-Dimming 277V ○ ELV Dimming 120V	○ 2700K ○ 3000K ○ 4000K ○ 5000K ○ 6000K ○ 3CCT(3000K/4000K/5000K)	○ Philips ○ Cree ○ Epistar ○ Seoul ○ Osram	○ White ○ Black ○ Silver ○ Satin Nickel

\* Customized Also Available

### LISTING / WARRANTY

ETL listed to US and Canadian standards for damp location W/Feed through.  
5 Years Limited Warranty.



## 28W TRACK PENDANT LED COB TRACK LIGHT

**AL4023M**

NEW PRODUCTS  
COMING SOON

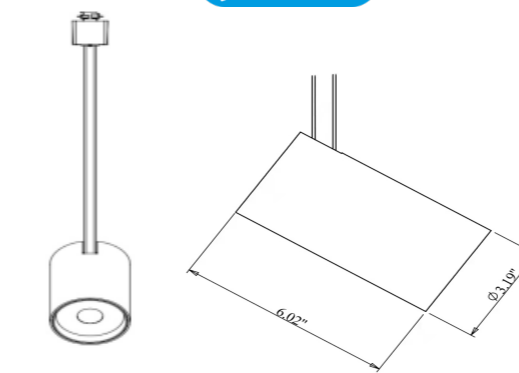


Easy to Interchangeable  
3 types rail connectors



COB 28W = Halogen 145W

### DIMENSIONS



Material	Die cast aluminum
Input Voltage	120/277v 50/60Hz input
Wattage	10W/15W/21W/25W/28W
CCT	2700K-6000K,3CCT
PF	>0.98
CRI	80+ /90+
Mounting	Track Pendant Mount

### ORDERING GUIDE / YOUR PRODUCT CODE

SERIES	BEAM SPREAD	POWER SUPPLY	CCT	LED AVAILABLE	FINISH
○ AL4023M 25W COB Track Light	○ 16° Spot ○ 24° Narrow Flood ○ 32° Flood ○ 50° Wide Flood	○ Non-Dimming 120V ○ Non-Dimming 277V ○ ELV Dimming 120V	○ 2700K ○ 3000K ○ 4000K ○ 5000K ○ 6000K ○ 3CCT(3000K/4000K/5000K)	○ 12" Rigid Pendant ○ 18" Rigid Pendant ○ 24" Rigid Pendant ○ 36" Rigid Pendant ○ 48" Rigid Pendant (Track Pendant Mounted)	○ White ○ Black ○ Silver ○ Satin Nickel

\* Customized Also Available

### LISTING / WARRANTY

ETL listed to US and Canadian standards for damp location W/Feed through.  
5 Years Limited Warranty.





## 28W AC LOW VOLT COB TRACK LIGHT WITH NO DRIVER



## K4023-M2

NEW PRODUCTS  
COMING SOON

## FEATURES

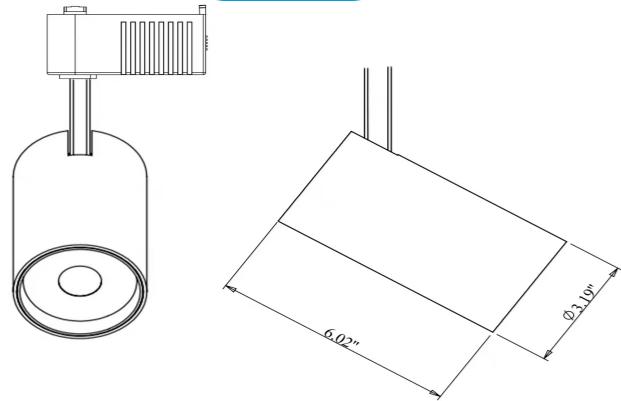
Centrally powered driver 120V input at the light source becomes the output 24V power.  
lamp beads. Low-voltage centralized power supply improves safety and reduces single lamp spare parts.  
The structure of the track lights is compact and the appearance is simple and generous.  
28W max per lamp, (track bar can be customized as required).  
The lighting has a wide range of adjustments, the vertical tunability is up to 90 degrees. It provides good light output, high efficiency and energy saving, and can be suitable for various lighting places.  
Long life, low electromagnetic interference, low energy consumption, high performance and provides short circuit and over current protection.  
Dimming: Non-Dimming/DMX512 Dimming without flicker.  
3 color temperature selectable, convenient inventory and cost savings.

## SPECIFICATIONS

Radiator: Using cold forging radiator, fast heat dissipation, structure of the heat dissipation module, integrated balanced conduction convection, radiation heat, to ensure long product life.  
Lens: Professional optical grade PMMA lens, a variety of beam angles (narrow 10°, medium 20°, wide 30°) are available, and other beam angles are available.  
Spraying: Environmental protection electrostatic powder coating surface treatment process, durable wear.

COB 28W Halogen 140W

## DIMENSIONS



Material	Die cast aluminum
Input Voltage	24V
Wattage	10W/15W/21W/25W/28W
CCT	2700K-6000K,3CCT
PF	>0.98
CRI	80+/90+
Mounting	Track Mount

## ORDERING GUIDE / YOUR PRODUCT CODE

SERIES	BEAM SPREAD	POWER SUPPLY	CCT	LED AVAILABLE	FINISH
<input type="radio"/> K4023-M2 25W COB Track Light	<input type="radio"/> 16° Spot <input type="radio"/> 24° Narrow Flood <input type="radio"/> 32° Flood <input type="radio"/> 50° Wide Flood	<input type="radio"/> Non-Dimming 24V <input type="radio"/> DMX512 Dimming	<input type="radio"/> 2700K <input type="radio"/> 3000K <input type="radio"/> 4000K <input type="radio"/> 5000K <input type="radio"/> 6000K <input type="radio"/> 3CCT(3000K/4000K/5000K)	<input type="radio"/> Philips <input type="radio"/> Cree <input type="radio"/> Epistar <input type="radio"/> Seoul <input type="radio"/> Osram	<input type="radio"/> White <input type="radio"/> Black <input type="radio"/> Silver <input type="radio"/> Satin Nickel

\* Customized Also Available

## LISTING / WARRANTY

ETL listed to US and Canadian standards for damp location W/Feed through.  
5 Years Limited Warranty.



Liteharbor Harbor of Light!

## 28W LOW VOLT LED COB TRACK LIGHT

## AL4023-M1

NEW PRODUCTS  
COMING SOON

## FEATURES

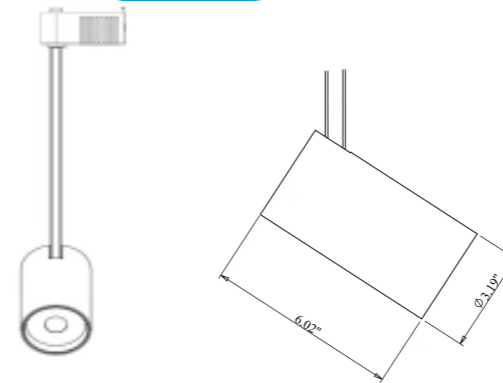
Centrally powered driver 120V input at the light source becomes the output 24V power.  
lamp beads. Low-voltage centralized power supply improves safety and reduces single lamp spare parts.  
The structure of the track lights is compact and the appearance is simple and generous.  
28W max per lamp, (track bar can be customized as required).  
The lighting has a wide range of adjustments, the vertical tunability is up to 90 degrees. It provides good light output, high efficiency and energy saving, and can be suitable for various lighting places.  
Long life, low electromagnetic interference, low energy consumption, high performance and provides short circuit and over current protection.  
Dimming: Non-Dimming/DMX512 Dimming without flicker.  
3 color temperature selectable, convenient inventory and cost savings.

## SPECIFICATIONS

Radiator: Using cold forging radiator, fast heat dissipation, structure of the heat dissipation module, integrated balanced conduction convection, radiation heat, to ensure long product life.  
Lens: Professional optical grade PMMA lens, a variety of beam angles (narrow 10°, medium 20°, wide 30°) are available, and other beam angles are available.  
Spraying: Environmental protection electrostatic powder coating surface treatment process, durable wear.

COB 28W Halogen 140W

## DIMENSIONS



Material	Die cast aluminum
Input Voltage	24V
Wattage	10W/15W/21W/25W/28W
CCT	2700K-6000K,3CCT
PF	>0.98
CRI	80+/90+
Mounting	Track Pendant Mount

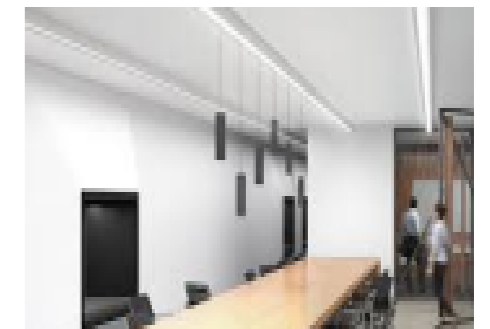
## ORDERING GUIDE / YOUR PRODUCT CODE

SERIES	BEAM SPREAD	DIMMING	CCT	MOUNTING	FINISH
<input type="radio"/> AL4023-M1 25W COB Track Light	<input type="radio"/> 16° Spot <input type="radio"/> 24° Narrow Flood <input type="radio"/> 32° Flood <input type="radio"/> 50° Wide Flood	<input type="radio"/> Non-Dimming 24V <input type="radio"/> DMX512 Dimming	<input type="radio"/> 2700K <input type="radio"/> 3000K <input type="radio"/> 4000K <input type="radio"/> 5000K <input type="radio"/> 6000K <input type="radio"/> 3CCT(3000K/4000K/5000K)	<input type="radio"/> 12" Rigid Pendant <input type="radio"/> 18" Rigid Pendant <input type="radio"/> 24" Rigid Pendant <input type="radio"/> 36" Rigid Pendant <input type="radio"/> 48" Rigid Pendant (Track Pendant Mounted)	<input type="radio"/> White <input type="radio"/> Black <input type="radio"/> Silver <input type="radio"/> Satin Nickel

\* Customized Also Available

## LISTING / WARRANTY

ETL listed to US and Canadian standards for damp location W/Feed through.  
5 Years Limited Warranty.



E-mail:info@liteharbor.com

## WALL WASH LED COB TRACK COB TRACK LIGHT WITH NO DRIVER



**K5063**

NEW PRODUCTS  
COMING SOON



### DESCRIPTION

The Wall Wash Series features an asymmetrical reflector that provides even field of illumination. This distribution of light from ceiling to floor hides imperfections in the wall and smoothly eliminates shadows, adding a feeling of depth to any room. 50,000 hrs average rated life. 3 Step MacAdam (3 SDMC). Passive aluminum heat sink. Multiple connectors can share a lamp body. 3 color temperature selectable, convenient inventory and cost savings.

### DIMMING

Track Dimming: (ELV) reverse phase control dimmers. 120V only. Dimmable 100 - 10%

### OPTICS

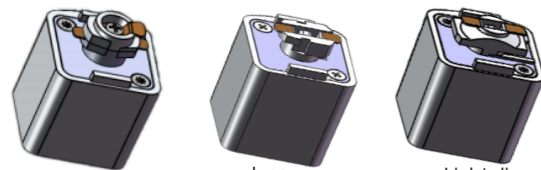
16° Spot, 24° Narrow Flood, 32° Flood, 50° Wide Flood

### DRIVER

Trailing edge (ELV): 120V / 277V  
Leading edge (Triac): 120V only  
0-10V: 120V only (ControlTrac), 120-277V otherwise  
IP (Integral Pot) dimming available  
Lutron ecosystem premier driver available, featuring dimming to 0.1% and soft on/soft off incandescent like dimming. Only available on fixtures 20 watts or less.



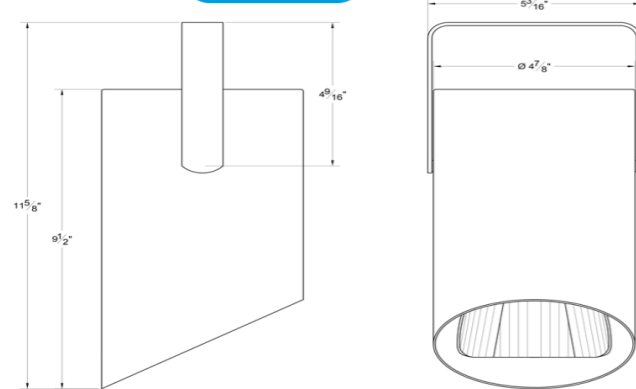
Easy to Interchangeable  
3 types rail connectors



Only Need To Loosen 2 Screws To Replace

COB 3X24W = Halogen 3X120W

### DIMENSIONS



Material	Die cast aluminum
Input Voltage	120/277v 50/60Hz input
Wattage	10W/15W/20W
CCT	2700K-6000K,3CCT
PF	>0.98
CRI	80+/90+
Mounting	Track Pendant Mount

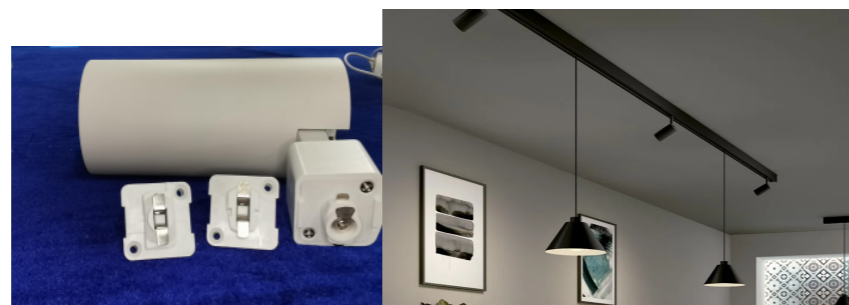
### ORDERING GUIDE / YOUR PRODUCT CODE

SERIES	BEAM SPREAD	POWER SUPPLY	CCT	MOUNT	FINISH
○ K5063 20W COB Track Light	○ 16° Spot ○ 24° Narrow Flood ○ 32° Flood ○ 50° Wide Flood	○ Non-Dimming 120V ○ Non-Dimming 277V ○ ELV Dimming 120V	○ 2700K ○ 3000K ○ 4000K ○ 5000K ○ 6000K ○ 3CCT(3000K/4000K/5000K)	○ 12" Rigid Pendant ○ 18" Rigid Pendant ○ 24" Rigid Pendant ○ 36" Rigid Pendant ○ 48" Rigid Pendant (Track Pendant Mounted)	○ White ○ Black ○ Silver ○ Satin Nickel

\* Customized Also Available

### LISTING / WARRANTY

ETL listed to US and Canadian standards for damp location W/Feed through. 5 Years Limited Warranty.



Liteharbor Harbor of Light!

## WALL WASH LOW VOLT COB TRACK LIGHT WITH NO DRIVER

**K5063-M2**

NEW PRODUCTS  
COMING SOON



### DESCRIPTION

Centrally powered driver 120V input at the light source becomes the output 24V power.

lamp beads. Low-voltage centralized power supply improves safety and reduces single lamp spare parts. The Wall Wash Series features an asymmetrical reflector that provides even field of illumination. This distribution of light from ceiling to floor hides imperfections in the wall and smoothly eliminates shadows, adding a feeling of depth to any room. 50,000 hrs average rated life. 3 Step MacAdam (3 SDMC). Passive aluminum heat sink. 3 color temperature selectable, convenient inventory and cost savings.

### DIMMING

Track Dimming: (ELV) reverse phase control dimmers. 120V only. Dimmable 100 - 10%

### OPTICS

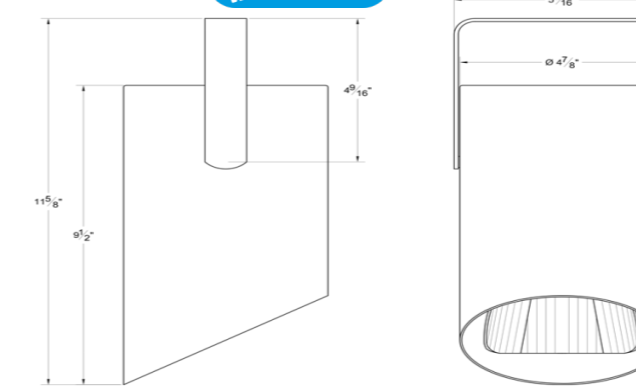
16° Spot, 24° Narrow Flood, 32° Flood, 50° Wide Flood

COB 30W = Halogen 150W

Mounts to a standard 4" square or octagon junction box.



### DIMENSIONS



Material	Die cast aluminum
Input Voltage	24V
Wattage	10W/15W/20W
CCT	2700K-6000K,3CCT
PF	>0.98
CRI	80+/90+
Mounting	Ceiling Mount

### ORDERING GUIDE / YOUR PRODUCT CODE

SERIES	BEAM SPREAD	BEAM SPREAD	DIMMING	CCT	LED AVAILABLE	FINISH
○ K5063-M2	○ 15W/Lamp ○ 25W/Lamp ○ 30W/Lamp	○ 16° Spot ○ 24° Narrow Flood ○ 32° Flood ○ 50° Wide Flood	○ Non-Dimming 24V ○ DMX512 Dimming	○ 2700K ○ 3000K ○ 4000K ○ 5000K ○ 6000K ○ 3CCT(3000K/4000K/5000K)	○ Philips ○ Cree ○ Epistar ○ Seoul ○ Osram	○ White ○ Black ○ Silver ○ Satin Nickel

\* Customized Also Available

### LISTING / WARRANTY

ETL listed to US and Canadian standards for damp location W/Feed through. 5 Years Limited Warranty.



## 3X24W LED COB TRACK PENDANT LIGHT WITH FIXED TRACK BAR

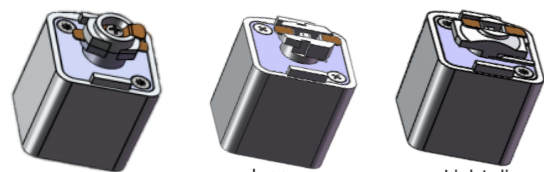
### AL4023-XM Series



NEW PRODUCTS  
COMING SOON



Easy to Interchangeable  
3 types rail connectors



Halo H-Type  
Juno J-Type  
Lightolier L-Type  
Only Need To Loosen 2 Screws To Replace

COB 3X24W = Halogen 3X120W

#### DESCRIPTION

Color Temperature 2700K-6000K  
CRI 80+/90+  
3 Step MacAdam (3 SDMC)  
Passive aluminum heat sink  
Multiple connectors can share a lamp body  
3 color temperature selectable, convenient inventory and cost savings  
50,000 hrs average rated life

#### DIMMING

Track Dimming: (ELV) reverse phase control dimmers. 120V only.  
Dimmable 100 - 10%  
Canopy Dimming: ELV Dimming 120V

#### DRIVER

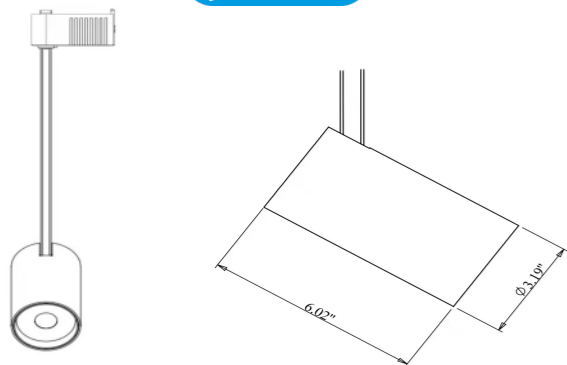
Track luminaire is designed for use with the following track systems  
- Single Circuit/Single Neutral 120V  
- Two Circuit/Single Neutral 120V  
- Two Circuit / Two Neutral 120V  
- Two Circuit / Two Neutral 277V

#### OPTICS

16° Spot, 24° Narrow Flood, 32° Flood, 50° Wide Flood



#### DIMENSIONS



Material	Die cast aluminum
Input Voltage	120/277v 50/60Hz input
Wattage	3X(10W/15W/21W/25W/28W)
CCT	2700K-6000K,3CCT
PF	>0.98
CRI	80+/90+
Mounting	Track Pendant Mount

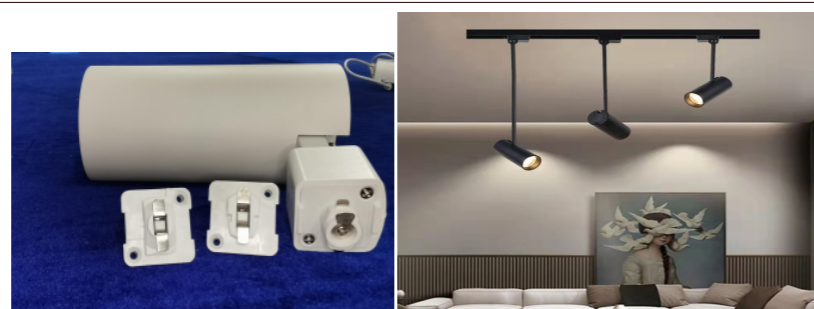
#### ORDERING GUIDE / YOUR PRODUCT CODE

SERIES	BEAM SPREAD	POWER SUPPLY	CCT	MOUNT	FINISH
○ FM3023M 24W COB Track Light	○ 16° Spot ○ 24° Narrow Flood ○ 32° Flood ○ 50° Wide Flood	○ Non-Dimming 120V ○ Non-Dimming 277V ○ ELV Dimming 120V	○ 2700K ○ 3000K ○ 4000K ○ 5000K ○ 6000K ○ 3CCT(3000K/4000K/5000K)	○ 12" Rigid Pendant ○ 18" Rigid Pendant ○ 24" Rigid Pendant ○ 36" Rigid Pendant ○ 48" Rigid Pendant (Track Pendant Mounted)	○ White ○ Black ○ Silver ○ Satin Nickel

\* Customized Also Available

#### LISTING / WARRANTY

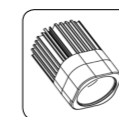
ETL listed to US and Canadian standards for damp location W/Feed through.  
5 Years Limited Warranty.



Liteharbor Harbor of Light!

## MULTIPLE HEADS LED COB TRACK LIGHT WITH FIXED TRACK BAR

### K3023-XC Series



NEW PRODUCTS  
COMING SOON



#### DESCRIPTION

Color Temperature 2700K-6000K  
CRI 80+/90+  
3 Step MacAdam (3 SDMC)  
Passive aluminum heat sink  
50,000 hrs average rated life

#### DIMMING

Track Dimming: (ELV) reverse phase control dimmers. 120V only.  
Dimmable 100 - 10%  
Canopy Dimming: ELV Dimming 120V

#### DRIVER

Track luminaire is designed for use with the following track systems  
- Single Circuit/Single Neutral 120V  
- Two Circuit/Single Neutral 120V (No Dimming)  
- Two Circuit / Two Neutral 120V  
- Two Circuit / Two Neutral 277V

#### OPTICS

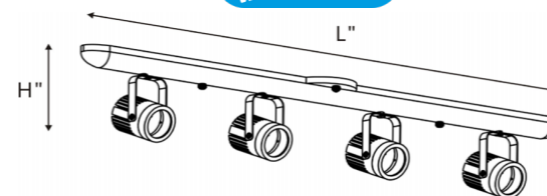
16° Spot, 24° Narrow Flood, 32° Flood, 50° Wide Flood



COB 30W = Halogen 150W

Mounts to a standard 4" square or octagon junction box.

#### DIMENSIONS



Lamp	1-Lamp	2-Lamp	3-Lamp	4-Lamp
Length (L)	4 15/16"	17 11/16"	25 3/16"	36"
Height (H)	6"	6"	6"	6"

Material	Die cast aluminum
Input Voltage	120/277v 50/60Hz input
Wattage	4 x(10W/15W/20W/25W/30W)
CCT	2700K-6000K,
PF	>0.98
CRI	80+/90+
Mounting	Ceiling Mount

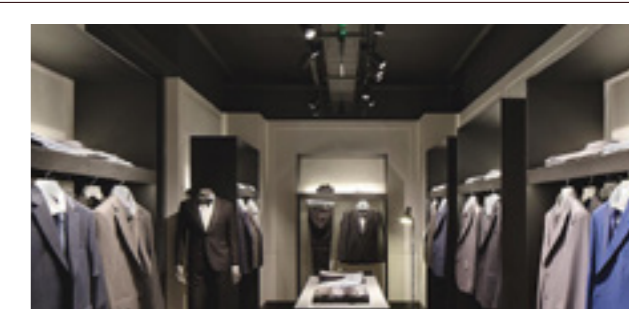
#### ORDERING GUIDE / YOUR PRODUCT CODE

SERIES	BEAM SPREAD	BEAM SPREAD	POWER SUPPLY	CCT	LED AVAILABLE	FINISH
○ K3023-1C	○ 15W/Lamp	○ 16° Spot	○ Non-Dimming 120V	○ 2700K	○ Philips	○ White
○ K3023-2C	○ 25W/Lamp	○ 24° Narrow Flood	○ Non-Dimming 277V	○ 3000K	○ Cree	○ Black
○ K3023-3C	○ 30W/Lamp	○ 32° Flood	○ ELV Dimming 120V	○ 4000K	○ Epistar	○ Silver
○ K3023-4C		○ 50° Wide Flood		○ 5000K	○ Seoul	○ Satin Nickel
				○ 6000K	○ Osram	

\* Customized Also Available

#### LISTING / WARRANTY

ETL listed to US and Canadian standards for damp location W/Feed through.  
5 Years Limited Warranty.



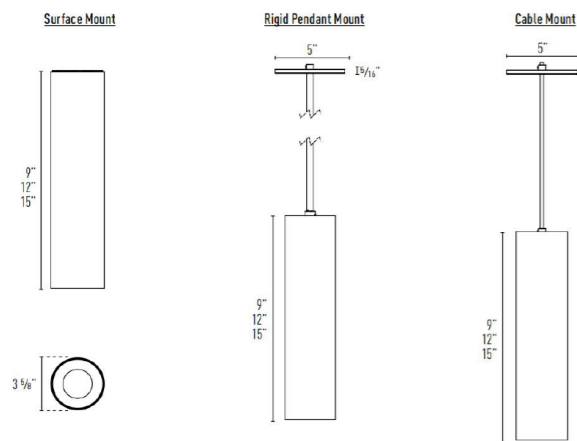
## 20W LED COB TRACK PENDANT LIGHT WITH FIXED TRACK BAR



Easy to interchangeable 3 types rail connectors

COB 20W = Halogen 100W

### DIMENSIONS



### FEATURES

Sleek, high performance pendant complements pendant downlighting family. Unique flush, surface, cable, pendant mount design allows for precise alignment and adjustment.  
 All aluminum construction, powder coat painted in white, black or silver finish for harsh, weatherproof applications.  
 120V AC Direct technology in 10W, 16W or 20W dimmable modules with integrated circuit.  
 Easy installation and ultra energy efficient.  
 Dedicated 9° optic with field changeable 12°, 24°, 36° & 50° optics.  
 Multiple connectors can share a lamp body.  
 3 color temperature selectable, convenient inventory and cost savings.

### SPECIFICATIONS

Radiator: Using cold forging radiator, fast heat dissipation, structure of the heat dissipation module, integrated balanced conduction convection, radiation heat, to ensure long product life.  
 Spraying: Environmental protection electrostatic powder coating surface treatment process, durable wear.

				>0.98 PF icon"/>	
--	--	--	--	------------------	--

Material	Die cast aluminum
Input Voltage	120/277v 50/60Hz input
Wattage	10/16/20W
CCT	2700K-6000K,3CCT
PF	>0.98
CRI	80+/90+
Mounting	Track Pendants Mount

### ORDERING GUIDE / YOUR PRODUCT CODE

SERIES	INPUT VOLTAGE	Wattage	FINISH	OPTIC	MOUNTING	CCT	CRI
○ AL35-VA	○ 120V	○ 10W	○ White	○ 9° Narrow Spot	○ 48" Cable	○ 2700K	○ 80+
○ 3.5" LED Track Pendant Downlight	○ 277V	○ 16W	○ Black	○ 12° Spot	○ 96" Cable	○ 3000K	○ 90+
	○ 120-277V	○ 20W		○ 24° Narrow Flood	○ 12" Rigid Pendant	○ 4000K	
				○ 36° Flood	○ 18" Rigid Pendant	○ 5000K	
				○ 50° Wide Flood	○ 24" Rigid Pendant	○ 6000K	
					○ 36" Rigid Pendant	○ 3CCT(3000K/4000K/5000K)	
					○ 48" Rigid Pendant		
					○ Surface Mounted		

### MOUNTING

Track Pendant mounted.

### LISTING / WARRANTY

ETL listed to US and Canadian standards for damp location W/Feed through.  
 5 Years Limited Warranty.



Liteharbor Harbor of Light!

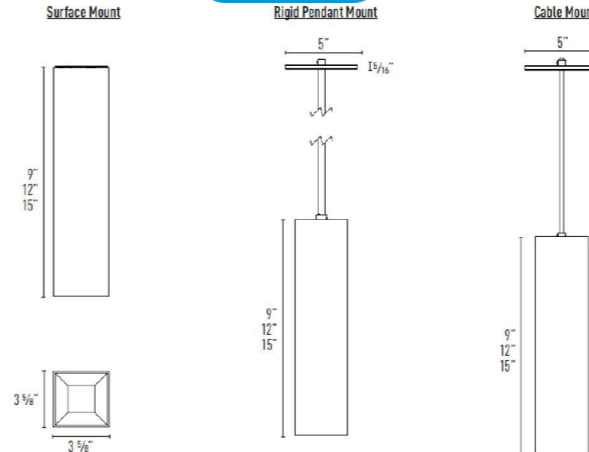
## 20W LED COB TRACK PENDANT LIGHT WITH FIXED TRACK BAR



Easy to interchangeable 3 types rail connectors

COB 20W = Halogen 100W

### DIMENSIONS



### FEATURES

Sleek, high performance pendant complements pendant downlighting family. Unique flush, surface, cable, pendant mount design allows for precise alignment and adjustment.  
 All aluminum construction, powder coat painted in white, black or silver finish for harsh, weatherproof applications.  
 120V AC Direct technology in 10W, 16W or 20W dimmable modules with integrated circuit.  
 Easy installation and ultra energy efficient.  
 Dedicated 9° optic with field changeable 12°, 24°, 36° & 50° optics.  
 Multiple connectors can share a lamp body.  
 3 color temperature selectable, convenient inventory and cost savings.

### SPECIFICATIONS

Radiator: Using cold forging radiator, fast heat dissipation, structure of the heat dissipation module, integrated balanced conduction convection, radiation heat, to ensure long product life.  
 Spraying: Environmental protection electrostatic powder coating surface treatment process, durable wear.

				>0.98 PF icon"/>	
--	--	--	--	------------------	--

Material	Die cast aluminum
Input Voltage	120~277v 50/60Hz input
Wattage	10/16/20W
CCT	2700K-6000K,3CCT
PF	>0.98
CRI	80+/90+
Mounting	Track Pendants Mount

### ORDERING GUIDE / YOUR PRODUCT CODE

SERIES	INPUT VOLTAGE	Wattage	FINISH	OPTIC	MOUNTING	CCT	CRI
○ AL35-VA	○ 120V	○ 10W	○ White	○ 9° Narrow Spot	○ 48" Cable	○ 2700K	○ 80+
○ 3.5" Square LED Track Pendant Downlight	○ 277V	○ 16W	○ Black	○ 12° Spot	○ 96" Cable	○ 3000K	○ 90+
	○ 120-277V	○ 20W		○ 24° Narrow Flood	○ 12" Rigid Pendant	○ 4000K	
				○ 36° Flood	○ 18" Rigid Pendant	○ 5000K	
				○ 50° Wide Flood	○ 24" Rigid Pendant	○ 6000K	
					○ 36" Rigid Pendant	○ 3CCT(3000K/4000K/5000K)	
					○ 48" Rigid Pendant		
					○ Surface Mounted		

### MOUNTING

Track Pendant mounted.

### LISTING / WARRANTY

ETL listed to US and Canadian standards for damp location W/Feed through.  
 5 Years Limited Warranty.



www.liteharbor.com

E-mail:info@liteharbor.com

## 20W LED COB TRACK PENDANT LIGHT WITH FIXED TRACK BAR



**AL35-VA-M1**



### FEATURES

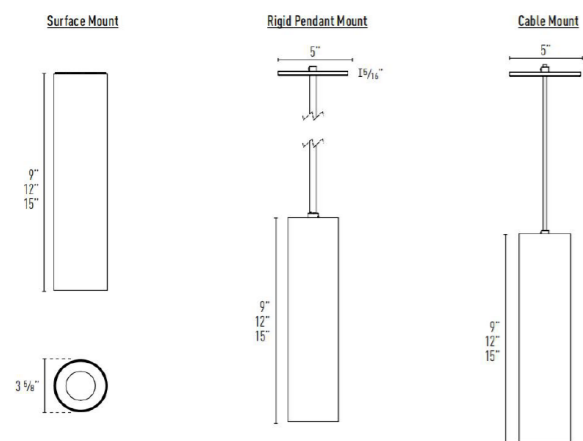
Centrally powered driver 120V input at the light source becomes the output 24V power.  
 lamp beads. Low-voltage centralized power supply improves safety and reduces single lamp spare parts.  
 Sleek, high performance pendant complements pendant downlighting family.  
 Unique flush, surface, cable, pendant mount design allows for precise alignment and adjustment.  
 All aluminum construction, powder coat painted in white, black or silver finish for harsh, weatherproof applications.  
 120V AC Direct technology in 10W, 16W or 20W dimmable modules with integrated circuit.  
 Easy installation and ultra energy efficient.  
 Dedicated 9° optic with field changeable 12°, 24°, 36° & 50° optics.  
 3 color temperature selectable, convenient inventory and cost savings.

### SPECIFICATIONS

Radiator: Using cold forging radiator, fast heat dissipation, structure of the heat dissipation module, integrated balanced conduction convection, radiation heat, to ensure long product life.  
 Spraying: Environmental protection electrostatic powder coating surface treatment process, durable wear.

COB 20W = Halogen 100W

### DIMENSIONS



				>0.98 PF icon"/>	
--	--	--	--	------------------	--

Material	Die cast aluminum
Input Voltage	24V
Wattage	10/16/20W
CCT	2700K-6000K,3CCT
PF	>0.98
CRI	80+/90+
Mounting	Track Pendants Mount

### ORDERING GUIDE / YOUR PRODUCT CODE

SERIES	INPUT VOLTAGE	Wattage	FINISH	OPTIC	MOUNTING	CCT	CRI
○ AL35-VA-M1 3.5" LED Track Pendant Downlight	○ 24V	○ 10W	○ White	○ 9° Narrow Spot	○ 48" Cable	○ 2700K	○ 80+
		○ 16W	○ Black	○ 12° Spot	○ 96" Cable	○ 3000K	○ 90+
		○ 20W		○ 24° Narrow Flood	○ 12" Rigid Pendant	○ 4000K	
				○ 36° Flood	○ 18" Rigid Pendant	○ 5000K	
					○ 50° Wide Flood	○ 24" Rigid Pendant	○ 6000K
				○ 36" Rigid Pendant	○ 3CCT(3000K/4000K/5000K)		
				○ 48" Rigid Pendant			
				○ Surface Mounted			

### MOUNTING

Track Pendant mounted.



Liteharbor Harbor of Light!

### LISTING / WARRANTY

ETL listed to US and Canadian standards for damp location W/Feed through.  
 5 Years Limited Warranty.



## 20W LED COB TRACK PENDANT LIGHT WITH FIXED TRACK BAR

**AL35-VA-S-M1**



### FEATURES

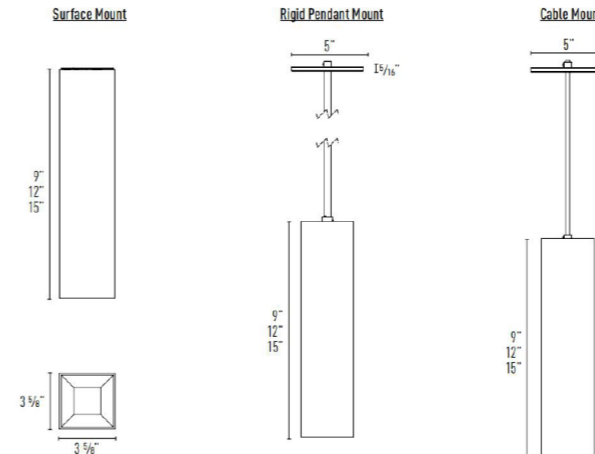
Centrally powered driver 120V input at the light source becomes the output 24V power.  
 lamp beads. Low-voltage centralized power supply improves safety and reduces single lamp spare parts.  
 Sleek, high performance pendant complements pendant downlighting family.  
 Unique flush, surface, cable, pendant mount design allows for precise alignment and adjustment.  
 All aluminum construction, powder coat painted in white, black or silver finish for harsh, weatherproof applications.  
 120V AC Direct technology in 10W, 16W or 20W dimmable modules with integrated circuit.  
 Easy installation and ultra energy efficient.  
 Dedicated 9° optic with field changeable 12°, 24°, 36° & 50° optics.  
 3 color temperature selectable, convenient inventory and cost savings.

### SPECIFICATIONS

Radiator: Using cold forging radiator, fast heat dissipation, structure of the heat dissipation module, integrated balanced conduction convection, radiation heat, to ensure long product life.  
 Spraying: Environmental protection electrostatic powder coating surface treatment process, durable wear.

COB 20W = Halogen 100W

### DIMENSIONS



				>0.98 PF icon"/>	
--	--	--	--	------------------	--

Material	Die cast aluminum
Input Voltage	24V
Wattage	10/16/20W
CCT	2700K-6000K,3CCT
PF	>0.98
CRI	80+/90+
Mounting	Track Pendants Mount

### ORDERING GUIDE / YOUR PRODUCT CODE

SERIES	INPUT VOLTAGE	Wattage	FINISH	OPTIC	MOUNTING	CCT	CRI
○ AL35-VA-S-M1 3.5" Square LED Track Pendant Downlight	○ 24V	○ 10W	○ White	○ 9° Narrow Spot	○ 48" Cable	○ 2700K	○ 80+
		○ 16W	○ Black	○ 12° Spot	○ 96" Cable	○ 3000K	○ 90+
		○ 20W		○ 24° Narrow Flood	○ 12" Rigid Pendant	○ 4000K	
				○ 36° Flood	○ 18" Rigid Pendant	○ 5000K	
					○ 50° Wide Flood	○ 24" Rigid Pendant	○ 6000K
				○ 36" Rigid Pendant	○ 3CCT(3000K/4000K/5000K)		
				○ 48" Rigid Pendant			
				○ Surface Mounted			

### MOUNTING

Track Pendant mounted.



### LISTING / WARRANTY

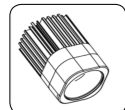
ETL listed to US and Canadian standards for damp location W/Feed through.  
 5 Years Limited Warranty.



## LOW-VOLTAGE CENTRALIZED POWER SUPPLY LED TRACK LIGHT



**K3023M-D**



NEW PRODUCTS  
COMING SOON

COB 24W = Halogen 120W

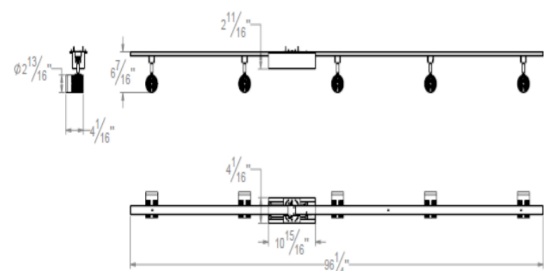
Mounts to a standard 4" square or octagon junction box.

### APPLICATIONS

Apply to automotive and parking, education, government, healthcare, hospitality, offices and banks, religious, retail.

<input checked="" type="checkbox"/> CREE <input checked="" type="checkbox"/> Epista <input checked="" type="checkbox"/> Seoul			2700K 3000K 3500K 4000K 6000K	80/90
LED Brand	Horizontal Rotation Vertical Tilt	Dimmable	CCT	LED CRI

### DIMENSIONS



Material	Die cast aluminum
Input Voltage	36V
Wattage	4X(10W/15W/20W/24W)
CCT	2700K-6000K
PF	>0.98
CRI	80+/90+
Mounting	Track Mount

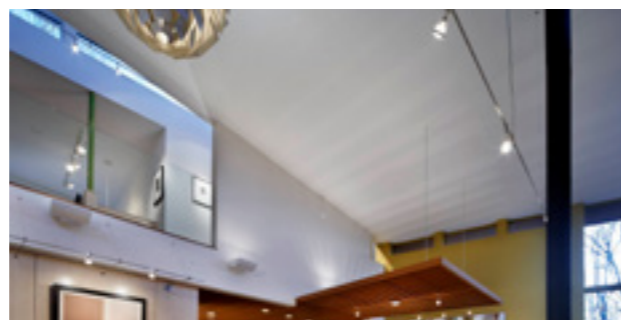
### ORDERING GUIDE / YOUR PRODUCT CODE

SERIES	LUMEN	CCT	CRI	DIMMING
<input type="radio"/> K3023M-D	<input type="radio"/> 1120lm/lamp	<input type="radio"/> 2700K	<input type="radio"/> 80+	<input type="radio"/> Non-Dimming
Low-voltage Centralized Power Supply LED Track Light		<input type="radio"/> 3000K <input type="radio"/> 4000K <input type="radio"/> 5000K <input type="radio"/> 6000K	<input type="radio"/> 90+	<input type="radio"/> TRIAC Dimming

\* Customized Also Available

### LISTING / WARRANTY

ETL listed to US and Canadian standards for damp location W/Feed through.  
5 Years Limited Warranty.



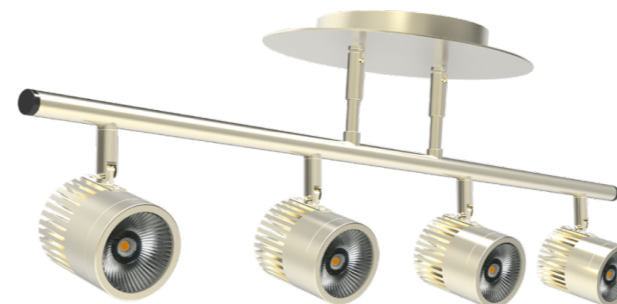
Liteharbor Harbor of Light!

## CANOPY+SUSPENDED MOUNT COB LED TRACK LIGHT

**K3033-XC Series**



NEW PRODUCTS  
COMING SOON



COB30W = Halogen 150W

Mounts to a standard 4" square or octagon junction box.

### DESCRIPTION

Color Temperature 2700K-6000K  
CRI 80+/90+  
3 Step MacAdam(3 SDMC)  
Passive aluminum heat sink  
50,000 hrs average rated life

### DIMMING

Track Dimming: (ELV) reverse phase control dimmers. 120V only.  
Dimmable 100 - 10%  
Canopy Dimming: ELV Dimming 120V

### DRIVER

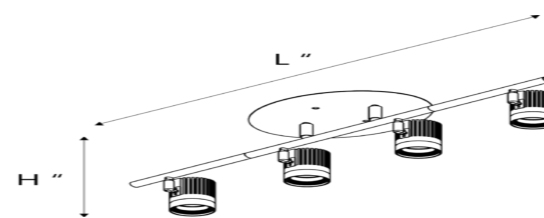
Track luminaire is designed for use with the following track systems  
- Single Circuit/Single Neutral 120V  
- Two Circuit/Single Neutral 120V (No Dimming)  
- Two Circuit / Two Neutral 120V  
- Two Circuit / Two Neutral 277V

### OPTICS

16° Spot, 24° Narrow Flood, 32° Flood, 50° Wide Flood



### DIMENSIONS



Lamp	1-Lamp	2-Lamp	3-Lamp	4-Lamp
Length (L)	5"	15 3/4"	26"	35 7/16"
Height (H)	4 7/16"	8 1/8"	8 1/8"	8 1/8"

Material	Die cast aluminum
Input Voltage	120/277v 50/60Hz input
Wattage	4 x(10W/15W/20W/24W/30W)
CCT	2700K-6000K
PF	>0.98
CRI	80+/90+
Mounting	Ceiling Mount

### ORDERING GUIDE / YOUR PRODUCT CODE

SERIES	BEAM SPREAD	BEAM SPREAD	POWER SUPPLY	CCT	LED AVAILABLE	FINISH
<input type="radio"/> K3033-1C	<input type="radio"/> 15W/Lamp	<input type="radio"/> 16° Spot	<input type="radio"/> Non-Dimming 120V	<input type="radio"/> 2700K	<input type="radio"/> Philips	<input type="radio"/> White
<input type="radio"/> K3033-2C	<input type="radio"/> 25W/Lamp	<input type="radio"/> 24° Narrow Flood	<input type="radio"/> Non-Dimming 277V	<input type="radio"/> 3000K	<input type="radio"/> Cree	<input type="radio"/> Black
<input type="radio"/> K3033-3C	<input type="radio"/> 30W/Lamp	<input type="radio"/> 32° Flood	<input type="radio"/> ELV Dimming 120V	<input type="radio"/> 4000K	<input type="radio"/> Epistar	<input type="radio"/> Silver
<input type="radio"/> K3033-4C		<input type="radio"/> 50° Wide Flood		<input type="radio"/> 5000K	<input type="radio"/> Seoul	<input type="radio"/> Satin Nickel
				<input type="radio"/> 6000K	<input type="radio"/> Osram	

\* Customized Also Available

### LISTING / WARRANTY

ETL listed to US and Canadian standards for damp location W/Feed through.  
5 Years Limited Warranty.



LOW VOLTAGE/ LINE VOLTAGE LED TRACK LIGHT SERIES



**Model: K1003**

Low Volt. Gimbal Track Light  
Complete with 12V 8W LED Driver

Lamp: LED MR16 12V 8W Max. GU5.3 Base  
Finish: White/ Black/ Satin Nickel



**Model: K1503**

Low Volt. Bullet Track Light  
Complete with 12V 8W LED Driver

Lamp: LED MR16 12V 8W Max. GU5.3 Base  
Finish: White/ Black/ Satin Nickel



**Model: FM1523**

Low Volt. Ceiling Mounted Track Light

Lamp: LED MR16 GU5.3 8W Max.  
Finish: White/ Black/ Satin Nickel



**Model: K1063**

Low Voltage Cylinder Track Light  
Complete with 12V 8W LED Driver

Lamp: LED MR16 12V 8W Max. GU5.3 Base  
Finish: White/ Black/ Satin Nickel



**Model: K1103**

Low Volt. Square Track Light  
Complete with 12V 8W LED Driver

Lamp: LED MR16 12V 8W Max. GU5.3 Base  
Finish: White/ Black/ Satin Nickel



**Model: K1113**

Low Volt. Octagon Track Light  
Complete with 12V 8W LED Driver

Lamp: LED MR16 12V 8W Max. GU5.3 Base  
Finish: White/ Black/ Satin Nickel



LED TRACK LIGHT SERIES

**Model: K2003**

Line Volt. Gimbal Track Light

Lamp: LED GU10 8W Max. GU10 Base  
LED PAR16 8W Max. E26 Base  
Finish: White/ Black/ Satin Nickel



**Model: K2013**

Line Volt. Gimbal Track Light

Lamp: LED PAR20 10W Max. E26 Base  
Finish: White/ Black/ Satin Nickel



**Model: K2023**

Line Volt. Adjustable Track Light

Lamp: LED PAR20 10W Max. E26 Base  
LED PAR30 18W Max. E26 Base  
LED PAR38 24W Max. E26 Base  
Finish: White/ Black/ Satin Nickel



**Model: K2663**

Aluminum Die-casting Track Light

Lamp: LED PAR20 10W Max. E26 Base  
Finish: White/ Black/ Satin Nickel



**Model: K2663-4C**

Line Voltage Track Light 4 Heads

Lamp: LED PAR20 E26 10W/Lamp Max.  
Finish: White/ Black/ Satin Nickel



**Model: K2663-6C**

Aluminum Die-casting Track Light

Lamp: LED PAR20 10W/Lamp Max. E26 Base  
Bar length: 72 inches  
Finish: White/ Black/ Satin Nickel  
Available Wall Mount and Ceiling Mount



**Model: K2683**

Line Volt. Bullet Track Lighting

Lamp: LED GU10 8W Max. GU10 Base  
LED PAR16 8W Max. E26 Base  
Finish: White/ Black/ Satin Nickel



LED TRACK LIGHT SERIES

**Model: K2033**  
Line Volt. Gimbal Track Light

Lamp: LED PAR20 10W Max. E26 Base  
Finish: White/ Black/ Satin Nickel



**Model: K2043**  
Line Volt. Gimbal Track Light

Lamp: LED PAR30 18W Max. E26 Base  
Finish: White/ Black/ Satin Nickel



**Model: K2053**  
Line Volt. Gimbal Track Light

Lamp: LED PAR38 24W Max. E26 Base  
Finish: White/ Black/ Satin Nickel



**Model: K2063**  
Line Volt. Mini Cylinder Track Light

Lamp: LED GU10 8W Max. GU10 Base  
LED PAR16 8W Max. E26 Base  
Finish: White/ Black/ Satin Nickel



**Model: K2103**  
Line Volt. Square Track Light

Lamp: LED GU10 8W Max. GU10 Base  
LED PAR16 8W Max. E26 Base  
Finish: White/ Black/ Satin Nickel



**Model: K2103-4C**  
Line Volt. Square Track Light 4 Heads

Lamp: LED GU10 8W/Lamp Max. GU10 Base  
LED PAR16 8W/Lamp Max. E26 Base  
Finish: White/ Black/ Satin Nickel



**Model: K2113**  
Line Volt. Octagon Track Light

Lamp: LED GU10 8W Max. GU10 Base  
LED PAR16 8W Max. E26 Base  
Finish: White/ Black/ Satin Nickel



**Model: K2203-XC**  
Line Volt. Canopy Mounted Mini Track Light

Lamp: LED GU10 8W/Lamp Max.  
Finish: White/ Black/ Satin Nickel



**Model: K2503**  
Line Volt. Bullet Track Light

Lamp: LED GU10 8W Max. GU10 Base  
Finish: White/ Black/ Satin Nickel



**Model: K2553**  
Line Volt. Round Back Track Light

Lamp: LED PAR20 10W Max. E26 Base  
Finish: White/ Black



**Model: K2553-4C**  
Line Voltage Round Back Track Light 4 Heads

Lamp: LED PAR20 E26 10W/Lamp Max.  
Finish: White/ Black/ Satin Nickel



**Model: K2563**  
Line Volt. Round Back Track Light

Lamp: LED PAR30 18W Max. E26 Base  
Finish: White/ Black



**Model: K2573**  
Line Volt. Round Back Track Light

Lamp: LED PAR38 24W Max. E26 Base  
Finish: White/ Black



**Model: K2583**  
Line Volt. Step Cylinder Track Light

Lamp: LED PAR20 10W Max. E26 Base  
Finish: White/ Black



**Model: K2593**  
Line Volt. Step Cylinder Track Light

Lamp: LED PAR30 18W Max. E26 Base  
Finish: White/ Black



**Model: K2603**  
Line Volt. Step Cylinder Track Light

Lamp: LED PAR38 24W Max. E26 Base  
Finish: White/ Black



**Model: K2643**  
Line Volt. Swivel Track Light

Lamp: LED PAR20 10W Max. E26 Base  
Finish: White/ Black/ Satin Nickel



**Model: K2653**  
Line Volt. Mini Swivel Track Light

Lamp: LED PAR20 10W Max. E26 Base  
LED PAR30 18W Max. E26 Base  
LED PAR38 24W Max. E26 Base  
Finish: White/ Black

